



**LIFTSAFE**  
FALL PROTECTION



**FACTORY**  
SUPPLY.COM

### Installation Manual:

RoofGuard RoofStep Ladder Series

RoofGuard RoofStep Crossover Series

Gargoyle Ladder Series

Gargoyle Crossover Series

### Guardrail System

Model Numbers:

RoofStep 5x5 XS, RoofStep 5x4 XS,

RoofStep 5x3 LD, RoofStep 5x2 LD,

RoofStep 5x1 LD, RoofStep 4x4 XS,

RoofStep 4x3 LD, RoofStep 4x2 LD,

RoofStep 4x1 LD, RoofStep 3x3 XS,

RoofStep 3x2 LD, RoofStep 3x1 LD

This Installation Manual is intended to meet the Manufacturer's Instructions requirements and should be used as part of an employee training program.

### WARNINGS AND CONDITIONS

These instructions must be provided to the installer of this system. The installer must read and understand these instructions and follow.

Failure to follow these instructions or the details of the unique layout drawing provided may result in serious injury or death. If you have any questions about this system's use or care, please contact the manufacturer: 1-800-977-2005.

# Table of Contents

Component Identification.....	2
Typical Layout (Crossover Series).....	3
Typical Layout (Ladder Series).....	4
Ladder Assembly (STEP 1).....	5
Platform Assembly (STEP 2).....	6
Diagonal Bracing for Crossover Series (STEP 3a).....	7
Tie-back for Upper Level of Ladder Series (STEP 3b).....	8
Post/Base Connection.....	9



## **WARNING**

**IMPROPER USE OR INSTALLATION OF THIS EQUIPMENT MAY CAUSE INJURY OR DEATH**

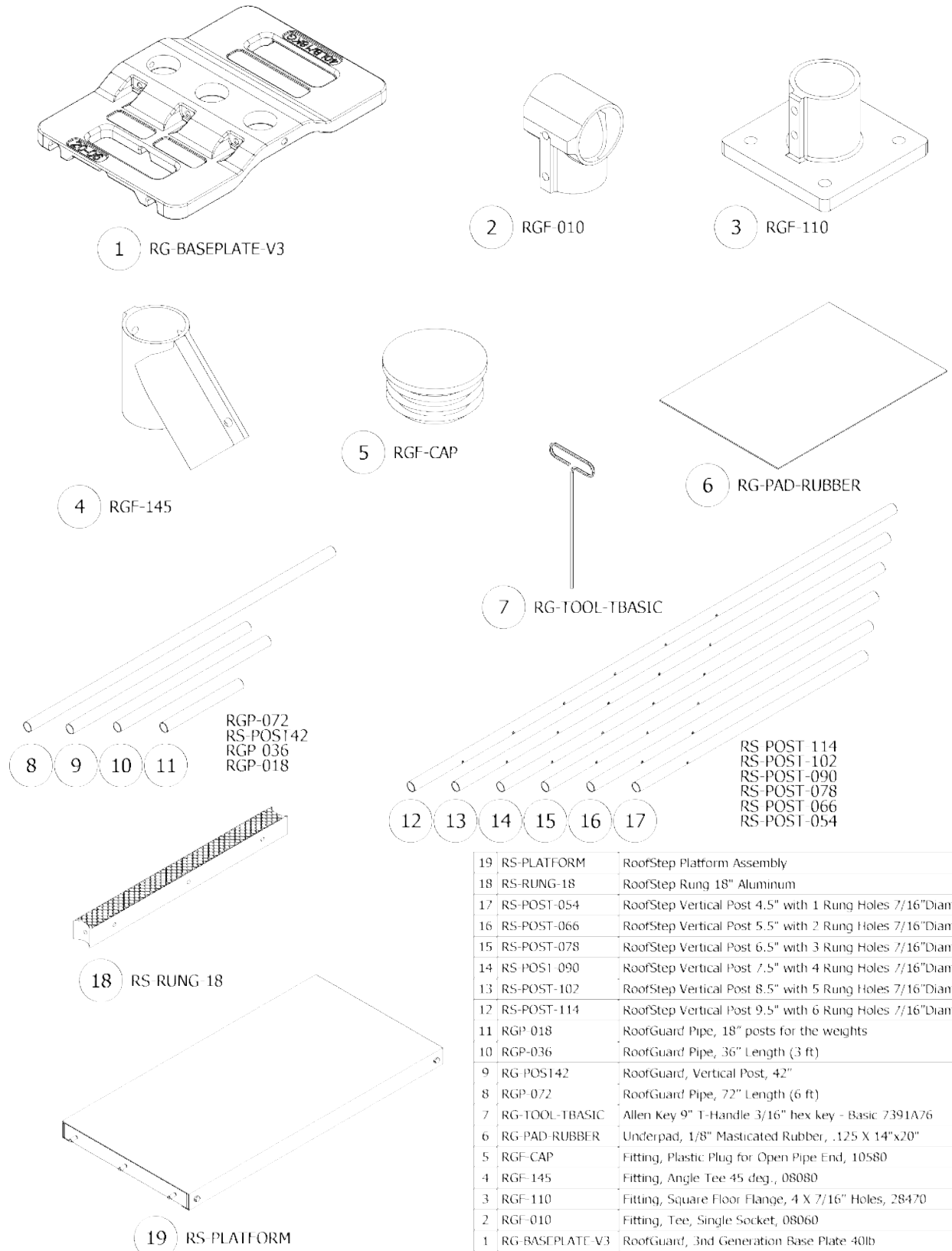
**Failure to Read, Understand, and Follow the Installation Manual may result in injury or death**

- DO NOT** lean on the railing
- DO NOT** stand or climb on the railing
- DO NOT** use rail as a tie-off point
- DO NOT** use rail for lifting or hoisting
- DO NOT** install railing within 10-feet of any electrical lines
- DO NOT** use if any component is found defective or damaged
- DO NOT** attach banners, signs, or equipment to rail.
- DO NOT** apply an excess force to the top rail which could cause tipping

- DO** install on a clean, dry, flat surface per Installation Manual
- DO** read and follow this document (Installation Manual) and details on System Drawing

Roofguard and Gargoyle systems are designed and are to be used only for their intended purpose. The use of these guardrail systems or their components for any other purpose **may cause injury or death.**

Figure 1 - Component Identification

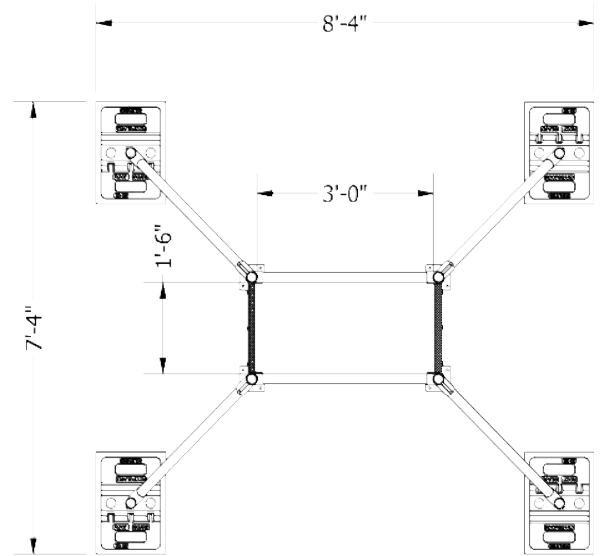
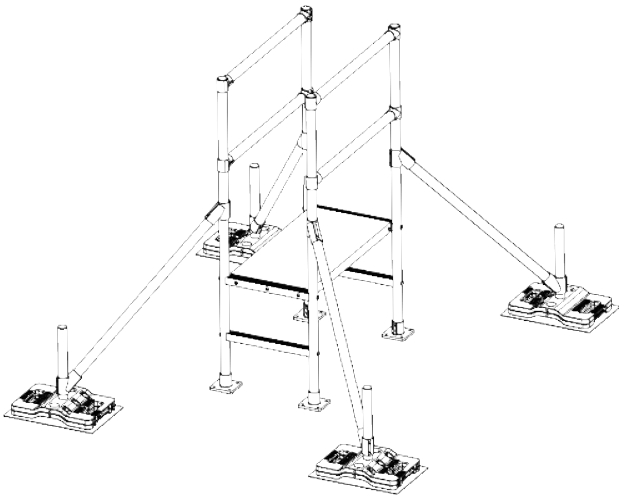


19	RS-PLATFORM	RoofStep Platform Assembly
18	RS-RUNG-18	RoofStep Rung 18" Aluminum
17	RS-POST-054	RoofStep Vertical Post 4.5" with 1 Rung Holes 7/16"Diam.
16	RS-POST-066	RoofStep Vertical Post 5.5" with 2 Rung Holes 7/16"Diam.
15	RS-POST-078	RoofStep Vertical Post 6.5" with 3 Rung Holes 7/16"Diam.
14	RS-POST-090	RoofStep Vertical Post 7.5" with 4 Rung Holes 7/16"Diam.
13	RS-POST-102	RoofStep Vertical Post 8.5" with 5 Rung Holes 7/16"Diam.
12	RS-POST-114	RoofStep Vertical Post 9.5" with 6 Rung Holes 7/16"Diam.
11	RGP-018	RoofGuard Pipe, 18" posts for the weights
10	RGP-036	RoofGuard Pipe, 36" Length (3 ft)
9	RG-POST142	RoofGuard, Vertical Post, 42"
8	RGP-072	RoofGuard Pipe, 72" Length (6 ft)
7	RG-TOOL-TBASIC	Allen Key 9" T-Handle 3/16" hex key - Basic 7391A76
6	RG-PAD-RUBBER	Underpad, 1/8" Masticated Rubber, .125 X 14"x20"
5	RGF-CAP	Fitting, Plastic Plug for Open Pipe End, 10580
4	RGF-145	Fitting, Angle Tee 45 deg., 08080
3	RGF-110	Fitting, Square Floor Flange, 4 X 7/16" Holes, 28470
2	RGF-010	Fitting, Tee, Single Socket, 08060
1	RG-BASEPLATE-V3	RoofGuard, 3rd Generation Base Plate 40lb
#	PART NUMBER	DESCRIPTION

**! WARNING**

**Failure to Read, Understand, and Follow the Installation Manual may result in injury or death**

Figure 2A - Typical Layout - Crossover Series



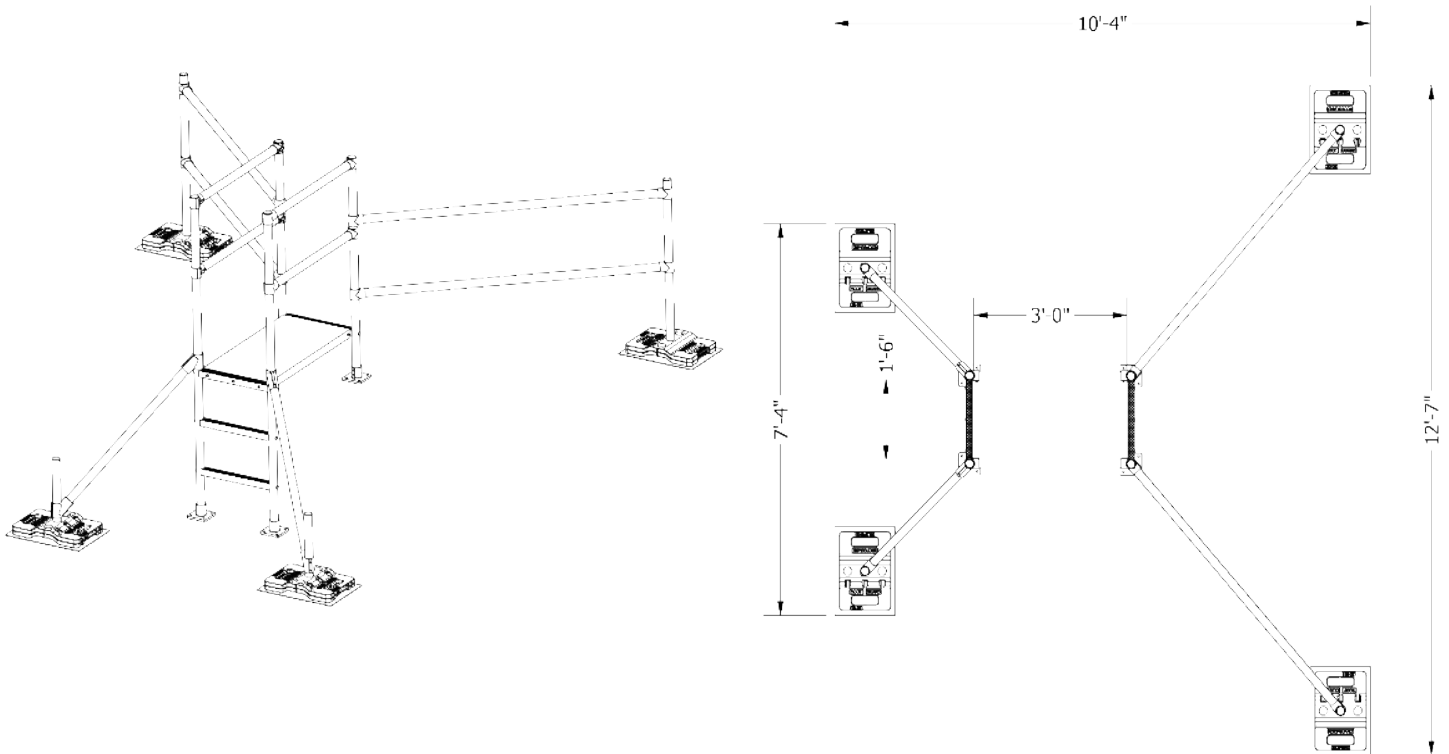
### Typical Layout

- Install on a flat (5-degrees or less), clean, dry surface, only when the change in elevation between roof levels is 2 feet or less.
- Ladder support posts must be 6' (2.4m) from any parallel fall hazard/edge.
- Each system comes with a unique layout drawing with details specific to that system.
- No modifications or alterations are permitted to the layout without manufacturer's written approval.

**! WARNING**

**Failure to Read, Understand, and Follow the Installation Manual  
may result in injury or death**

Figure 2B - Typical Layout - Ladder Series



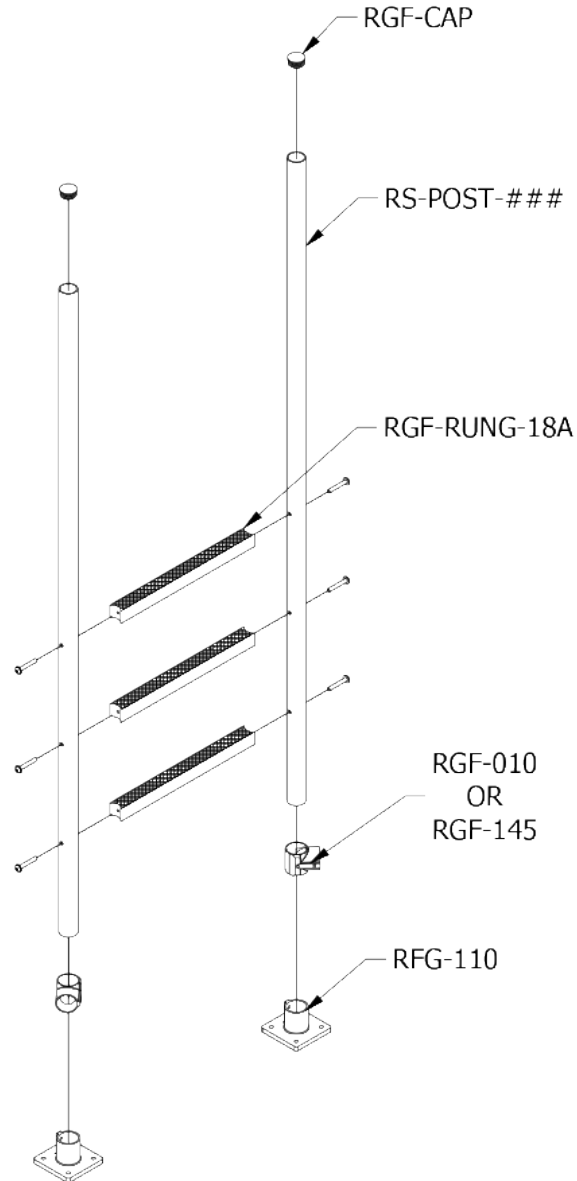
### Typical Layout

- Install on a flat (5-degrees or less), clean, dry surface, only when the change in elevation between roof levels is over 2 feet (one side is > 2 feet above the other).
- Tie-back rails must be 6' (2.4m) from any parallel fall hazard/edge.
- Each system comes with a unique layout drawing with details specific to that system.
- No modifications or alterations are permitted to the layout without manufacturer's written approval.

**! WARNING**

**Failure to Read, Understand, and Follow the Installation Manual  
may result in injury or death**

Figure 3 - Ladder Assembly - STEP 1



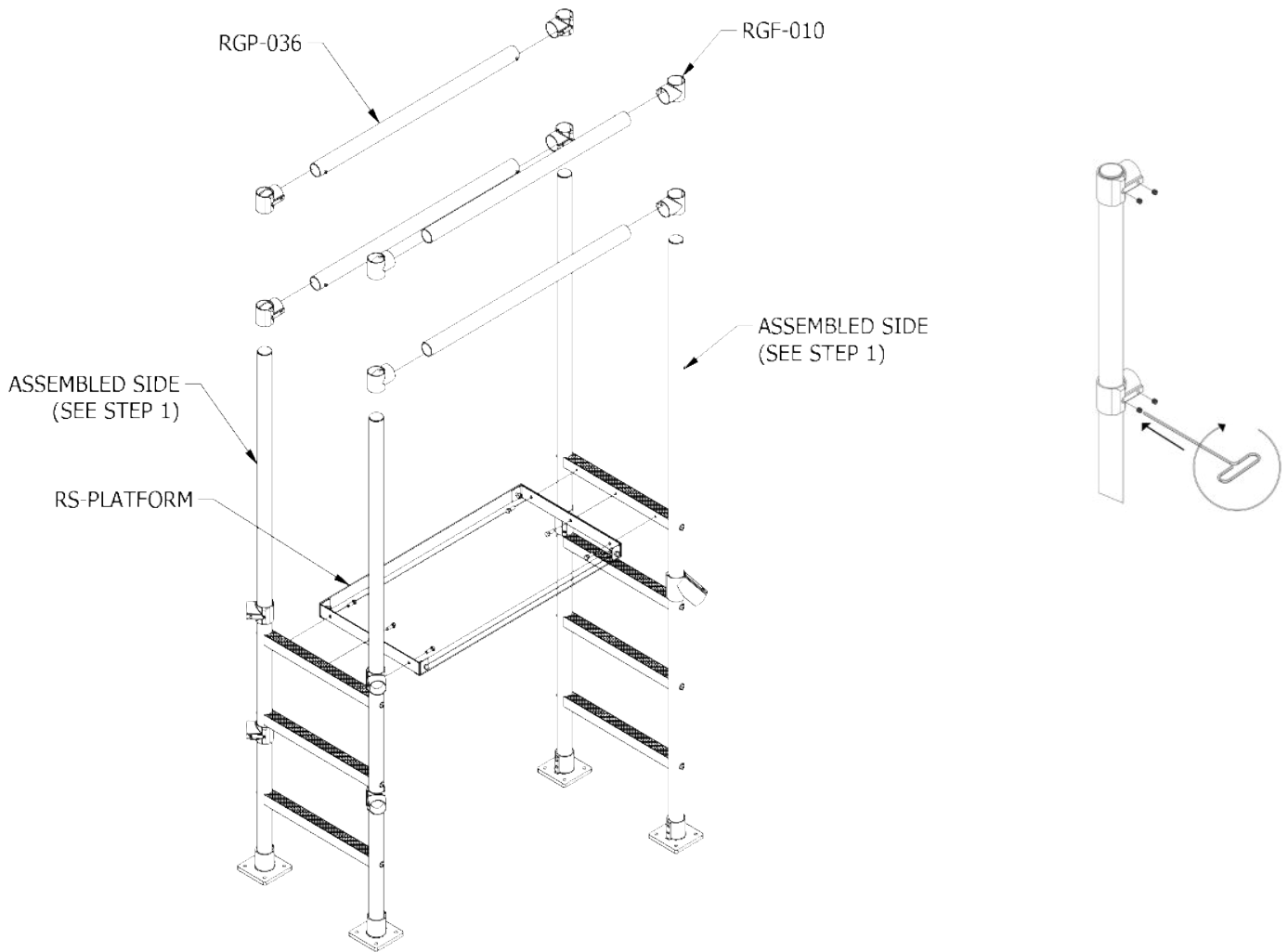
Ladder Assembly - STEP 1

- Position RGF-145 just above 3rd rung or as shown in system specific drawing, before securing all needed rungs.
- Ensure all rungs are facing the same direction.
- Build both 'ladder' assemblies to the required height shown on the system specific drawing.
- Torque set screws to 25 ft-lbs. If torque wrench is not available, tighten set screw until it contacts pipe, then tighten 1.5 more revolutions.

**! WARNING**

**Failure to Read, Understand, and Follow the Installation Manual may result in injury or death**

Figure 4 - Platform Assembly - STEP 2



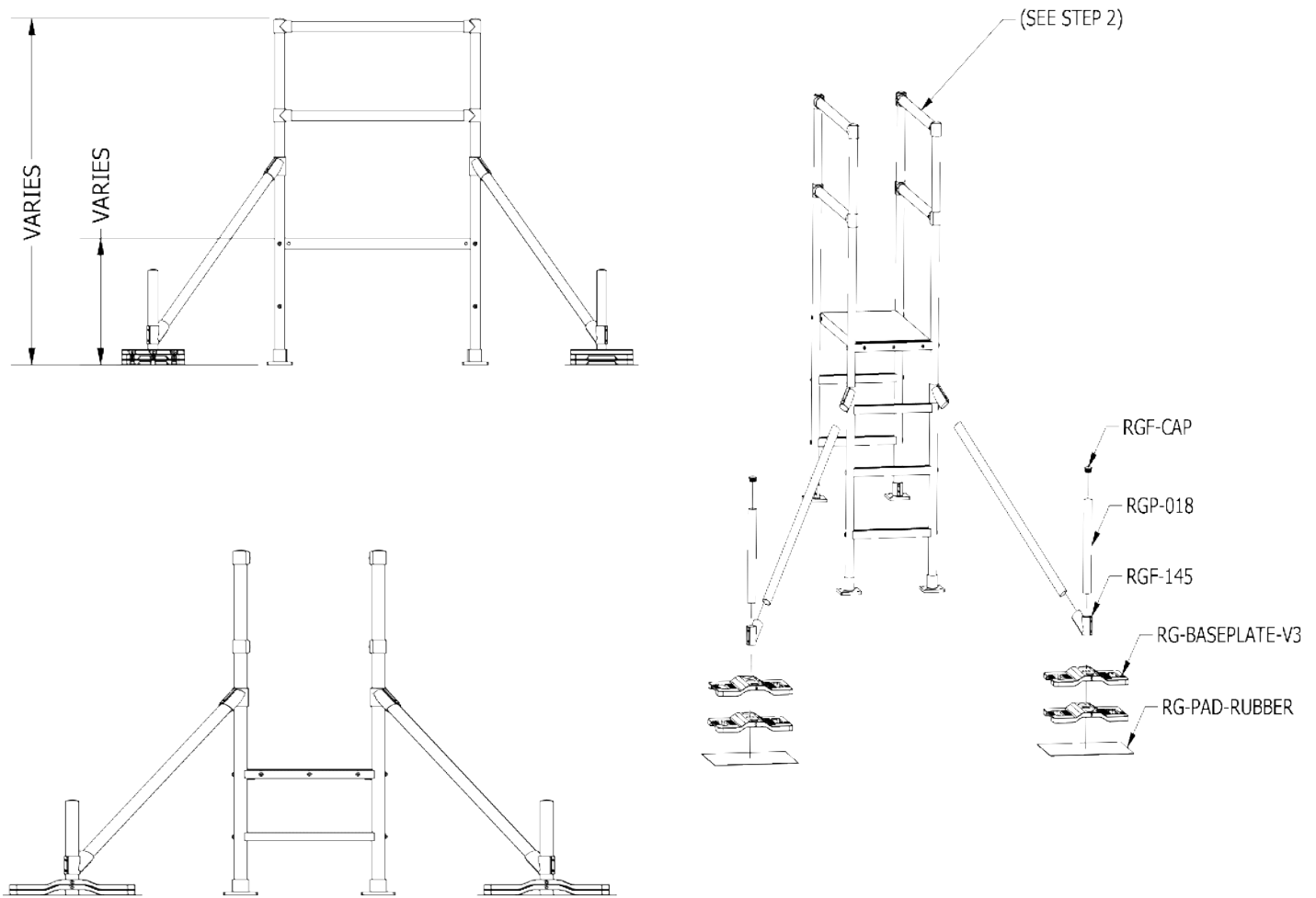
### Ladder Assembly - STEP 2

- Align ladder sections facing each other and connect the platform to the back of the top rung on each side, using supplied bolts.
- Slide fittings / handrails onto posts to complete connecting the two sides.
- Set screws in all fittings should be tightened to approximately 18 ft-lbs. If torque wrench is not available, tighten set screw until it contacts pipe, then tighten one more full revolution.
- Plug open top with RGF-Cap.
- Top of top rail should be 42" above platform.
- Center of Mid-Rail should be 21" above platform.
- Each system comes with a unique layout drawing with details specific to that system.

**! WARNING**

**Failure to Read, Understand, and Follow the Installation Manual may result in injury or death**

Figure 5 - Diagonal Bracing for Crossover Series - STEP 3a



### Diagonal Bracing for Crossover Series - STEP 3a

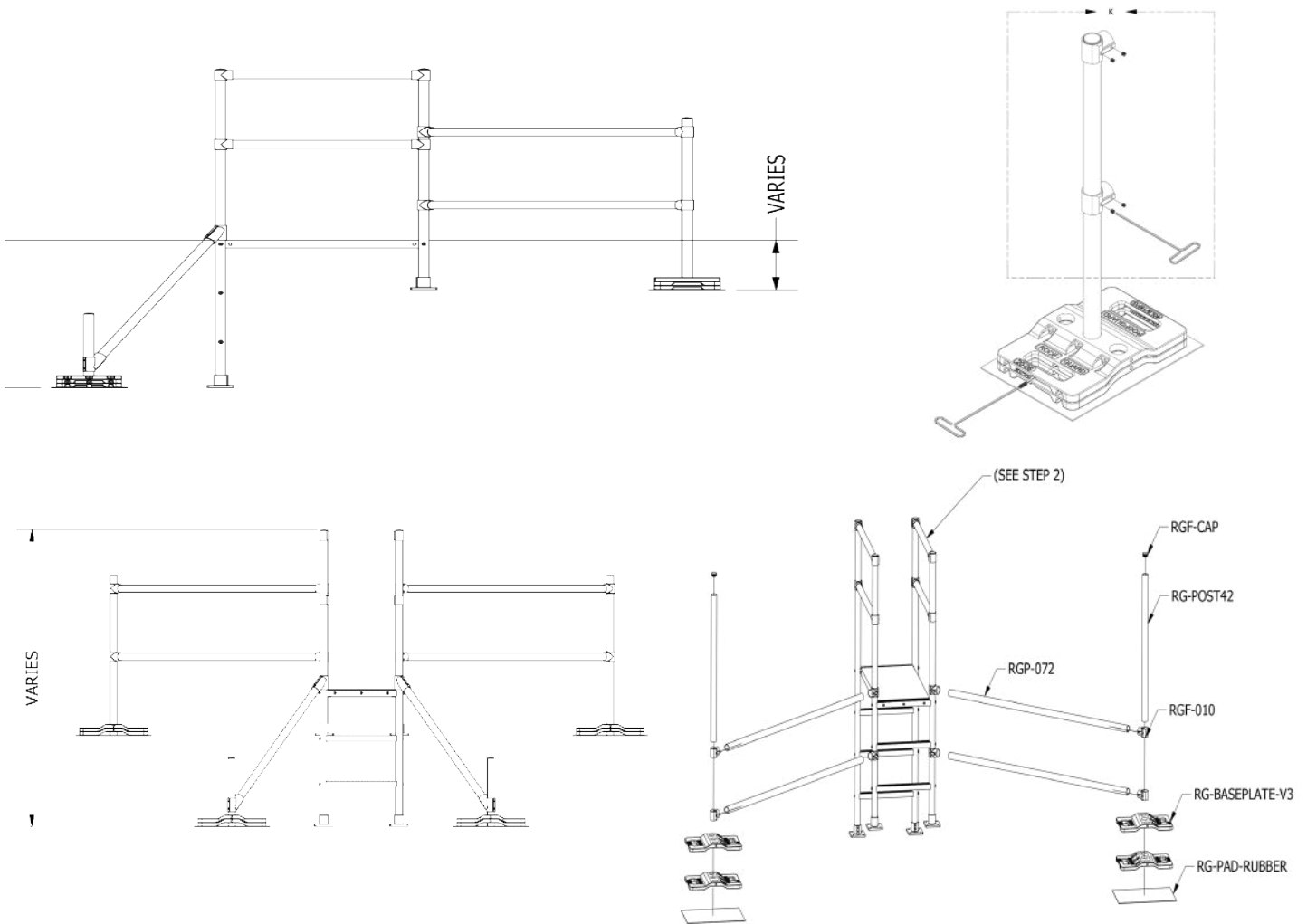
- Set screws in all fittings should be tightened to approximately 18 ft-lbs. If torque wrench is not available, tighten set screw until it contacts pipe, then tighten one more full revolution.
- Plug open top with RGF-Cap.
- Two baseplates to be used at each diagonal brace.
- Refer to unique layout drawing for your system for specific details.



**Failure to Read, Understand, and Follow the Installation Manual may result in injury or death**



Figure 6 - Tie-back for Ladder Series - Upper Level - STEP 3b



### Tie-back for Ladder Series - STEP 3b

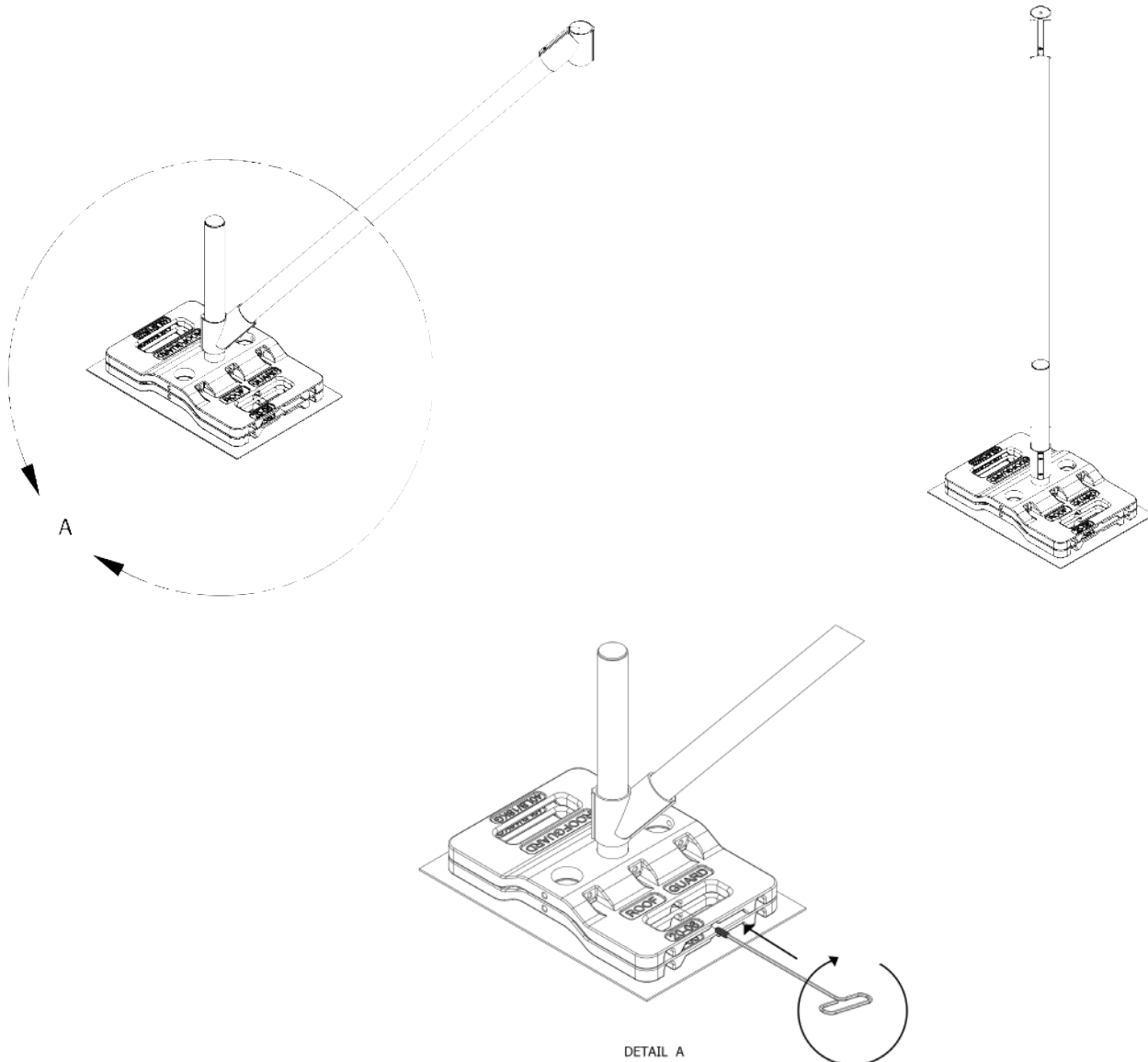
- Set screws in all fittings should be tightened to approximately 18 ft-lbs. If torque wrench is not available, tighten set screw until it contacts pipe, then tighten one more full revolution.
- Plug open top with RG-Cap.
- 6' rails between posts – for tie-back counterweights.
- Top of top rail should be 42" above walking surface for tie-back.
- Center of Mid-Rail should be 21" above walking surface for tie-back.
- Refer to unique layout drawing for your system for specific details.



**WARNING**

**Failure to Read, Understand, and Follow the Installation Manual  
may result in injury or death**

Figure 7 - Post/Base Connection - Diagonal Bracing and Tie-back



### Post/Base Connection - Diagonal Bracing and Tie-back

- Post into base – diagonal brace or tie-back – two baseplates.
- Post may be installed in any of the 3 holes to prevent tripping or positioning base near existing features.
- One set-screw in the bottom baseplate required to be secured against post.
- Torque to 25 ft-lbs. If torque wrench is not available, tighten set screw until it contacts pipe, then tighten 1.5 more revolutions.

**It is the user's responsibility to maintain the railing system in good working condition to ensure proper function of the railing system**

**! WARNING**

**Failure to Read, Understand, and Follow the Installation Manual may result in injury or death**



## **WARNING**

**IMPROPER USE OR INSTALLATION OF THIS EQUIPMENT MAY CAUSE INJURY OR DEATH**

**Failure to Read, Understand, and Follow the Installation Manual may result in injury or death**

**DO NOT** lean on the railing

**DO NOT** stand or climb on the railing

**DO NOT** use rail as a tie-off point

**DO NOT** use rail for lifting or hoisting

**DO NOT** install railing within 10-feet of any electrical lines

**DO NOT** use if any component is found defective or damaged

**DO NOT** attach banners, signs, or equipment to rail.

**DO NOT** apply an excess force to the top rail which could cause tipping

**DO** install on a clean, dry, flat surface per Installation Manual

**DO** read and follow this document (Installation Manual) and details on System Drawing

Roofguard and Gargoyle systems are designed and are to be used only for their intended purpose. The use of these guardrail systems or their individual components for any other purpose **may cause injury or death.**

# **Fall Protection Warranty**

**Please refer to website for product warranty information.**

[fallsafetysolutions.com/terms-conditions/](https://fallsafetysolutions.com/terms-conditions/)

[factorysupply.com/terms-conditions/](https://factorysupply.com/terms-conditions/)



**LIFTSAFE**  
FALL PROTECTION

Liftsafe Fall Protection  
409 Harmony Road  
Ayr, Ontario N0B 1E0  
1(800) 977-2005  
info@liftsafeinspections.com  
www.fallsafetysolutions.com



**FACTORY**  
SUPPLY.COM

Factory Supply  
8001 Tower Point Drive  
Charlotte, NC 28227  
1(888) 242-3045  
sales@factorysupply.com  
www.factorysupply.com