



LIFTSAFE
FALL PROTECTION



FACTORY
SUPPLY.COM

Installation Manual:

RoofGuard RoofStep Ladder Series

RoofGuard RoofStep Crossover Series

Gargoyle Ladder Series

Gargoyle Crossover Series

Guardrail System

Model Numbers:

RoofStep 5x5 XS, RoofStep 5x4 XS,

RoofStep 5x3 LD, RoofStep 5x2 LD,

RoofStep 5x1 LD, RoofStep 4x4 XS,

RoofStep 4x3 LD, RoofStep 4x2 LD,

RoofStep 4x1 LD, RoofStep 3x3 XS,

RoofStep 3x2 LD, RoofStep 3x1 LD

This Installation Manual is intended to meet the Manufacturer's Instructions requirements and should be used as part of an employee training program.

WARNINGS AND CONDITIONS

These instructions must be provided to the installer of this system. The installer must read and understand these instructions and follow.

Failure to follow these instructions or the details of the unique layout drawing provided may result in serious injury or death. If you have any questions about this system's use or care, please contact the manufacturer: 1-800-977-2005.

Table of Contents

| | |
|--|---|
| Component Identification..... | 2 |
| Typical Layout (Crossover Series)..... | 3 |
| Typical Layout (Ladder Series)..... | 4 |
| Ladder Assembly (STEP 1)..... | 5 |
| Platform Assembly (STEP 2)..... | 6 |
| Diagonal Bracing for Crossover Series (STEP 3a)..... | 7 |
| Tie-back for Upper Level of Ladder Series (STEP 3b)..... | 8 |
| Post/Base Connection..... | 9 |



WARNING

IMPROPER USE OR INSTALLATION OF THIS EQUIPMENT MAY CAUSE INJURY OR DEATH

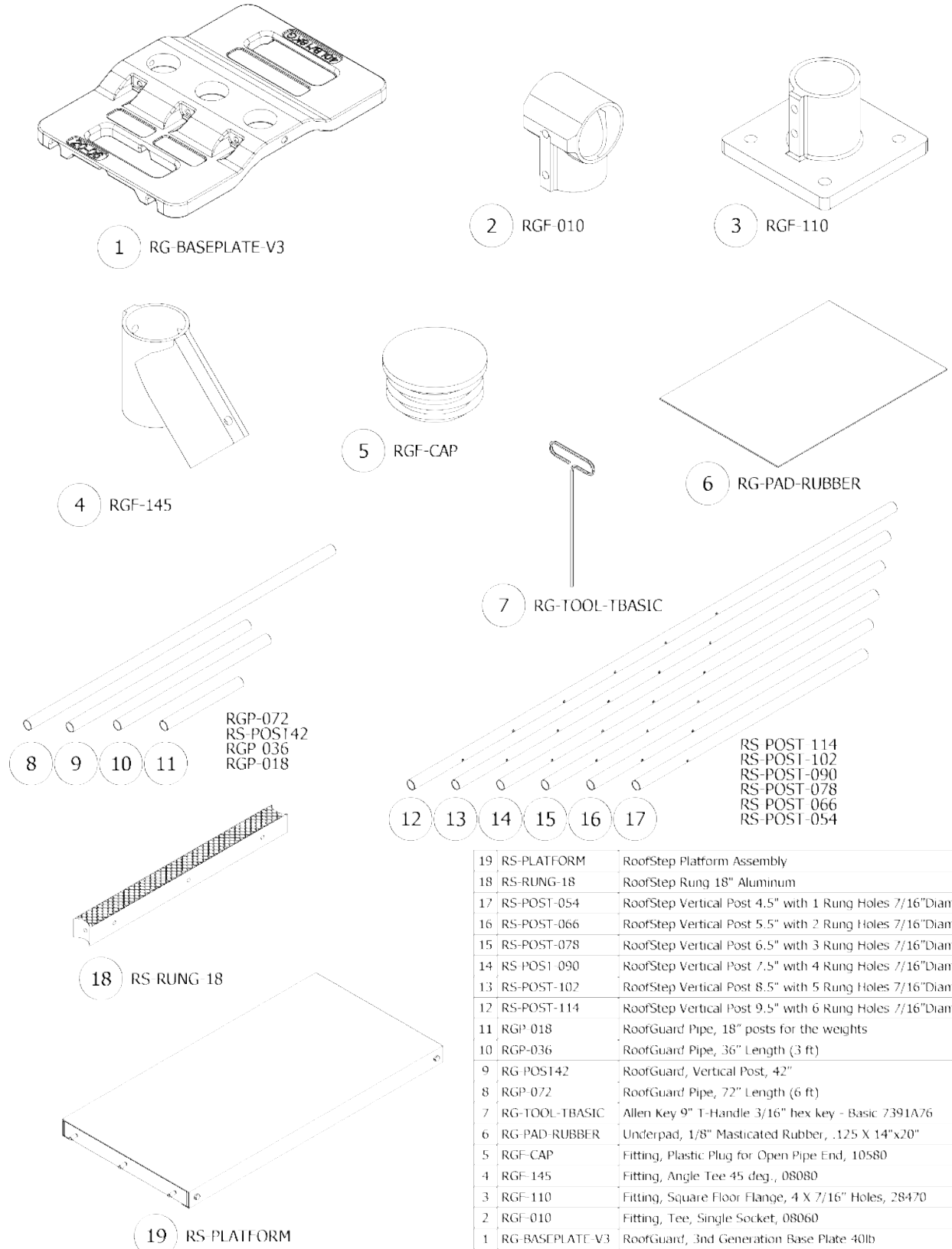
Failure to Read, Understand, and Follow the Installation Manual may result in injury or death

- DO NOT** lean on the railing
- DO NOT** stand or climb on the railing
- DO NOT** use rail as a tie-off point
- DO NOT** use rail for lifting or hoisting
- DO NOT** install railing within 10-feet of any electrical lines
- DO NOT** use if any component is found defective or damaged
- DO NOT** attach banners, signs, or equipment to rail.
- DO NOT** apply an excess force to the top rail which could cause tipping

- DO** install on a clean, dry, flat surface per Installation Manual
- DO** read and follow this document (Installation Manual) and details on System Drawing

Roofguard and Gargoyle systems are designed and are to be used only for their intended purpose. The use of these guardrail systems or their components for any other purpose **may cause injury or death.**

Figure 1 - Component Identification

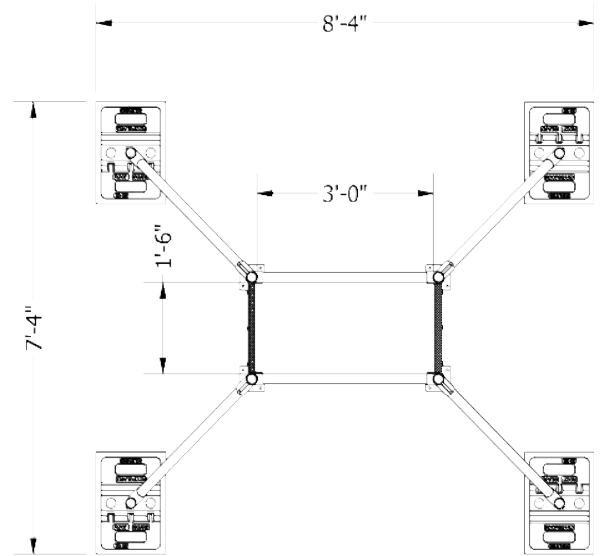
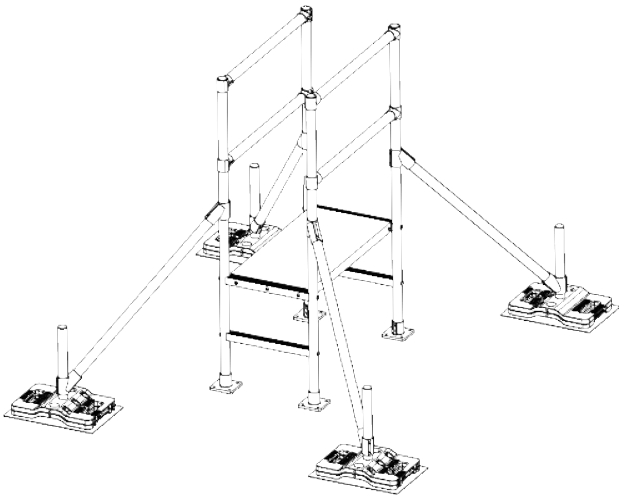


| | | |
|----|-----------------|--|
| 19 | RS-PLATFORM | RoofStep Platform Assembly |
| 18 | RS-RUNG-18 | RoofStep Rung 18" Aluminum |
| 17 | RS-POST-054 | RoofStep Vertical Post 4.5" with 1 Rung Holes 7/16"Diam. |
| 16 | RS-POST-066 | RoofStep Vertical Post 5.5" with 2 Rung Holes 7/16"Diam. |
| 15 | RS-POST-078 | RoofStep Vertical Post 6.5" with 3 Rung Holes 7/16"Diam. |
| 14 | RS-POST-090 | RoofStep Vertical Post 7.5" with 4 Rung Holes 7/16"Diam. |
| 13 | RS-POST-102 | RoofStep Vertical Post 8.5" with 5 Rung Holes 7/16"Diam. |
| 12 | RS-POST-114 | RoofStep Vertical Post 9.5" with 6 Rung Holes 7/16"Diam. |
| 11 | RGP-018 | RoofGuard Pipe, 18" posts for the weights |
| 10 | RGP-036 | RoofGuard Pipe, 36" Length (3 ft) |
| 9 | RG-POST-142 | RoofGuard, Vertical Post, 42" |
| 8 | RGP-072 | RoofGuard Pipe, 72" Length (6 ft) |
| 7 | RG-TOOL-TBASIC | Allen Key 9" T-Handle 3/16" hex key - Basic 7391A76 |
| 6 | RG-PAD-RUBBER | Underpad, 1/8" Masticated Rubber, .125 X 14"x20" |
| 5 | RGF-CAP | Fitting, Plastic Plug for Open Pipe End, 10580 |
| 4 | RGF-145 | Fitting, Angle Tee 45 deg., 08080 |
| 3 | RGF-110 | Fitting, Square Floor Flange, 4 X 7/16" Holes, 28470 |
| 2 | RGF-010 | Fitting, Tee, Single Socket, 08060 |
| 1 | RG-BASEPLATE-V3 | RoofGuard, 3rd Generation Base Plate 40lb |
| # | PART NUMBER | DESCRIPTION |

! WARNING

Failure to Read, Understand, and Follow the Installation Manual may result in injury or death

Figure 2A - Typical Layout - Crossover Series



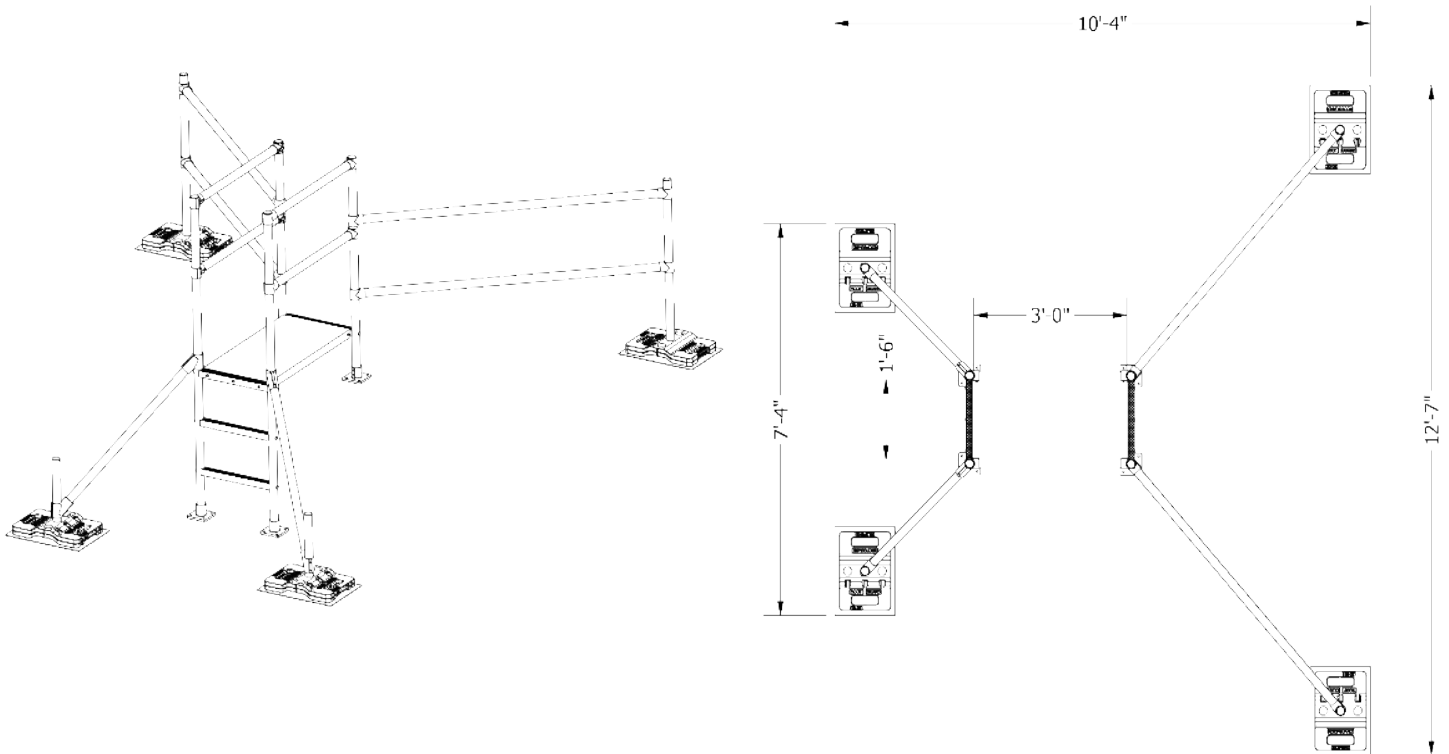
Typical Layout

- Install on a flat (5-degrees or less), clean, dry surface, only when the change in elevation between roof levels is 2 feet or less.
- Ladder support posts must be 6' (2.4m) from any parallel fall hazard/edge.
- Each system comes with a unique layout drawing with details specific to that system.
- No modifications or alterations are permitted to the layout without manufacturer's written approval.

! WARNING

**Failure to Read, Understand, and Follow the Installation Manual
may result in injury or death**

Figure 2B - Typical Layout - Ladder Series



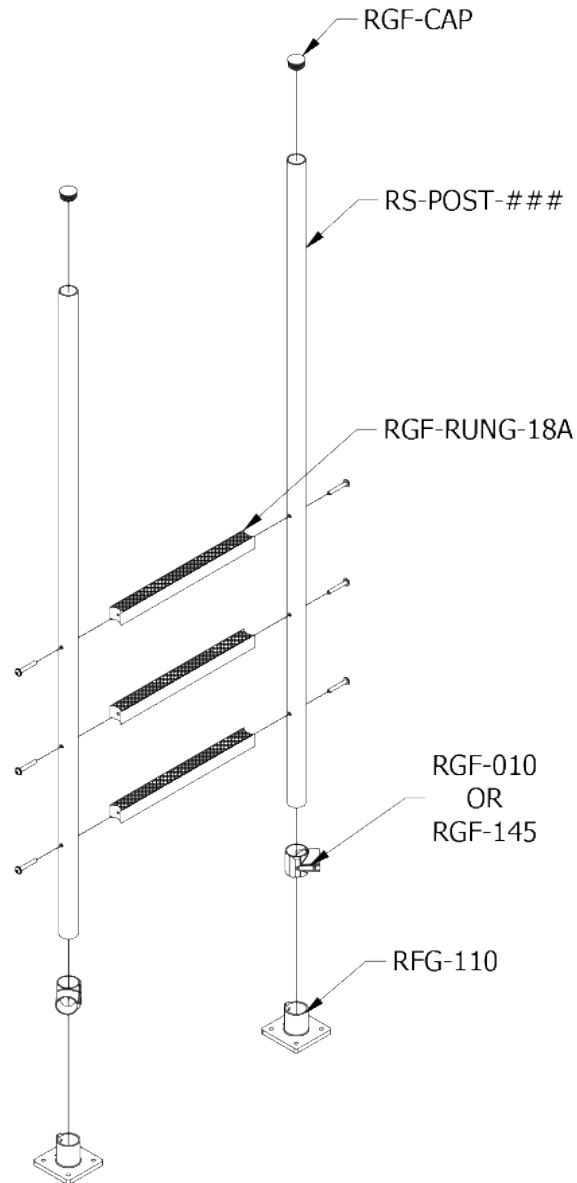
Typical Layout

- Install on a flat (5-degrees or less), clean, dry surface, only when the change in elevation between roof levels is over 2 feet (one side is > 2 feet above the other).
- Tie-back rails must be 6' (2.4m) from any parallel fall hazard/edge.
- Each system comes with a unique layout drawing with details specific to that system.
- No modifications or alterations are permitted to the layout without manufacturer's written approval.

! WARNING

**Failure to Read, Understand, and Follow the Installation Manual
may result in injury or death**

Figure 3 - Ladder Assembly - STEP 1



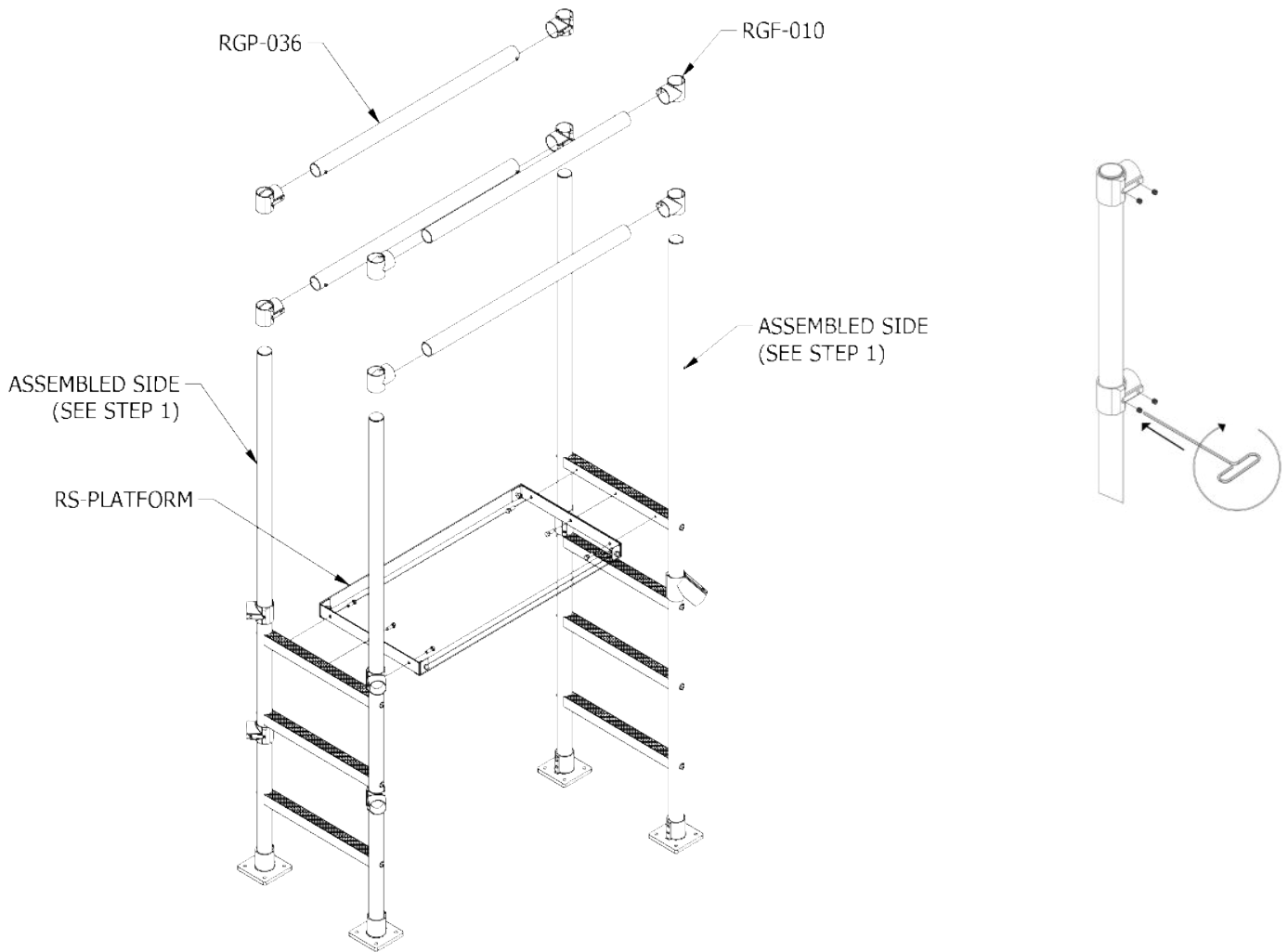
Ladder Assembly - STEP 1

- Position RGF-145 just above 3rd rung or as shown in system specific drawing, before securing all needed rungs.
- Ensure all rungs are facing the same direction.
- Build both 'ladder' assemblies to the required height shown on the system specific drawing.
- Torque set screws to 25 ft-lbs. If torque wrench is not available, tighten set screw until it contacts pipe, then tighten 1.5 more revolutions.

! WARNING

Failure to Read, Understand, and Follow the Installation Manual may result in injury or death

Figure 4 - Platform Assembly - STEP 2



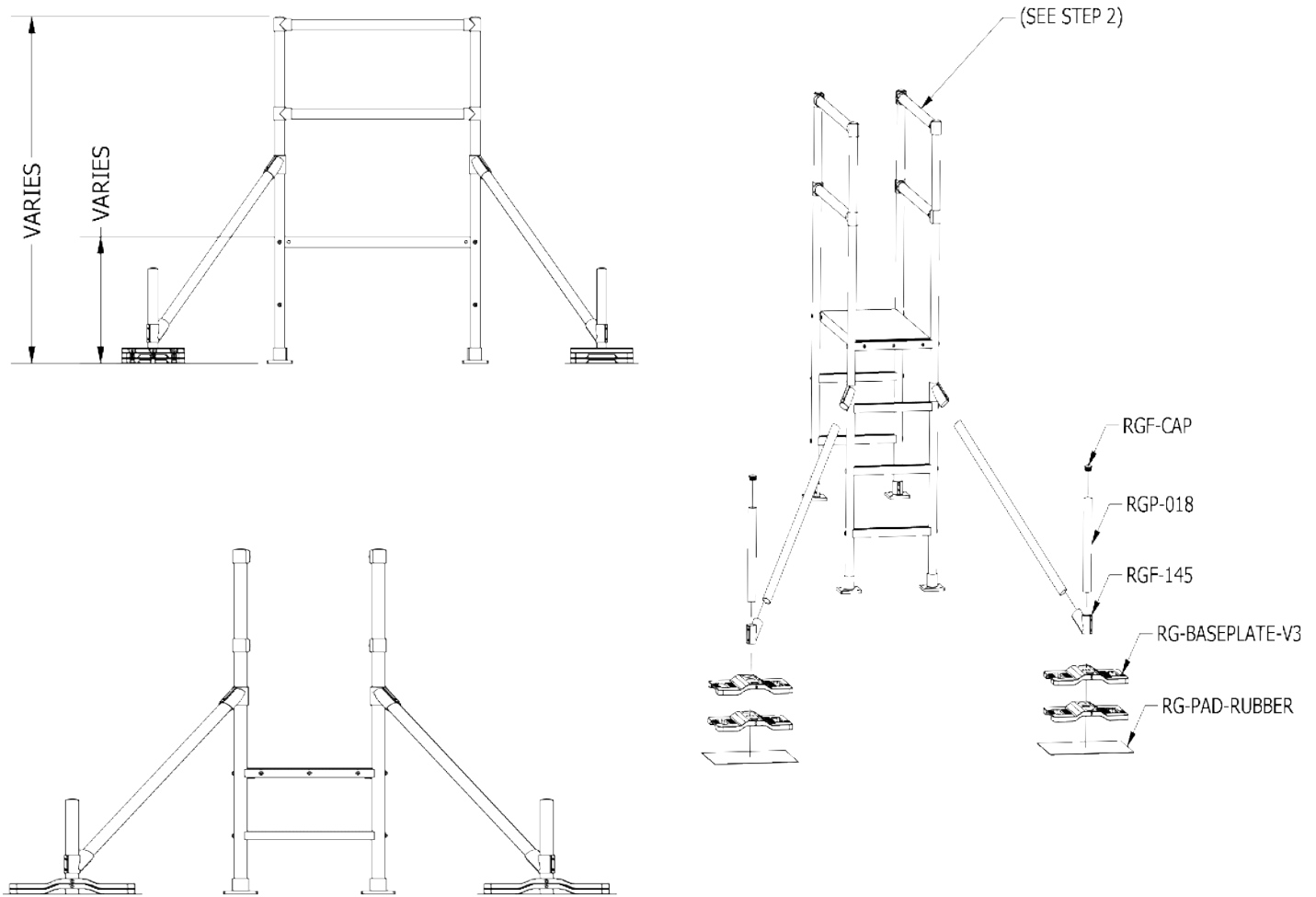
Ladder Assembly - STEP 2

- Align ladder sections facing each other and connect the platform to the back of the top rung on each side, using supplied bolts.
- Slide fittings / handrails onto posts to complete connecting the two sides.
- Set screws in all fittings should be tightened to approximately 18 ft-lbs. If torque wrench is not available, tighten set screw until it contacts pipe, then tighten one more full revolution.
- Plug open top with RGF-Cap.
- Top of top rail should be 42" above platform.
- Center of Mid-Rail should be 21" above platform.
- Each system comes with a unique layout drawing with details specific to that system.

! WARNING

Failure to Read, Understand, and Follow the Installation Manual may result in injury or death

Figure 5 - Diagonal Bracing for Crossover Series - STEP 3a



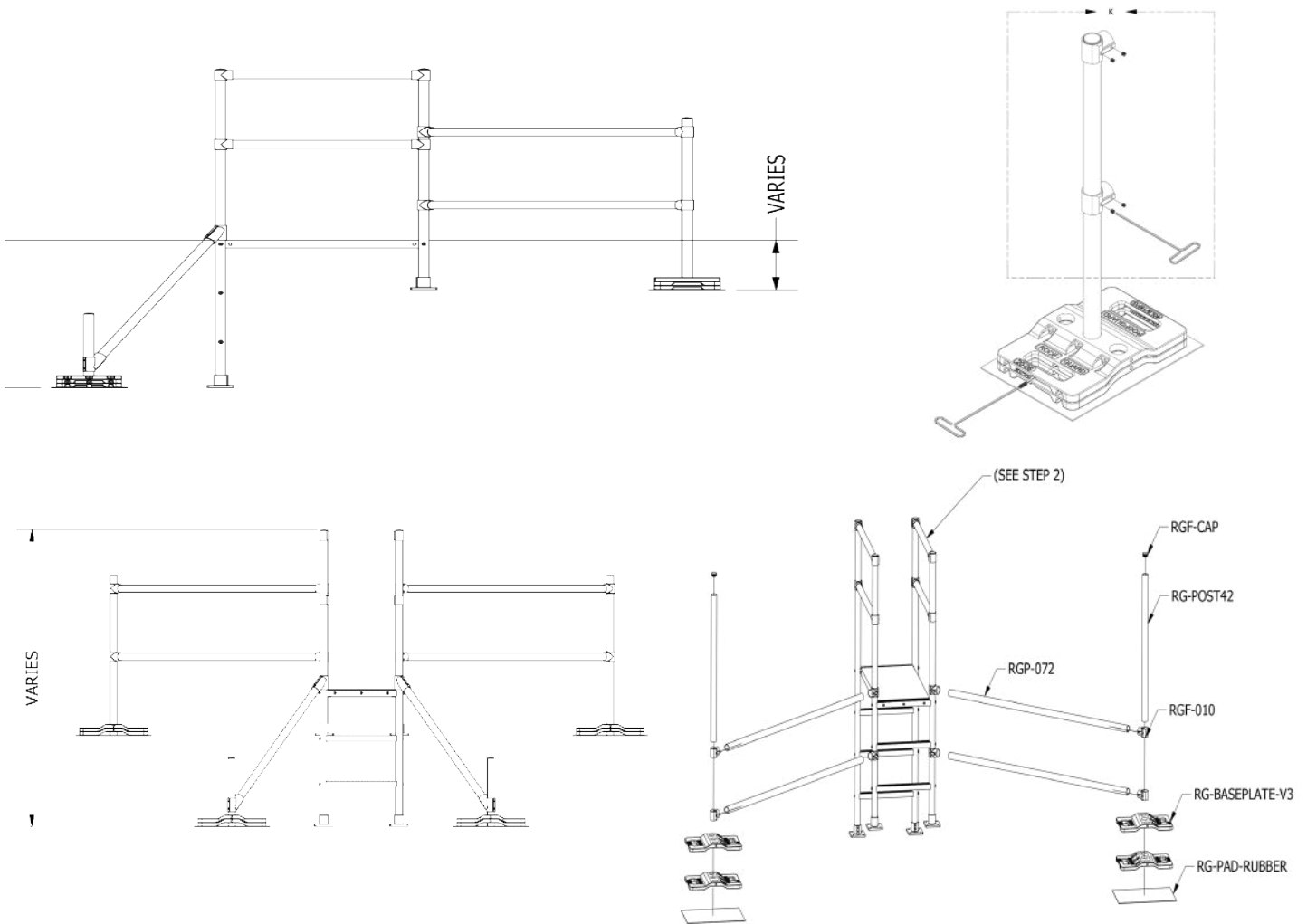
Diagonal Bracing for Crossover Series - STEP 3a

- Set screws in all fittings should be tightened to approximately 18 ft-lbs. If torque wrench is not available, tighten set screw until it contacts pipe, then tighten one more full revolution.
- Plug open top with RGF-Cap.
- Two baseplates to be used at each diagonal brace.
- Refer to unique layout drawing for your system for specific details.

! WARNING

Failure to Read, Understand, and Follow the Installation Manual may result in injury or death

Figure 6 - Tie-back for Ladder Series - Upper Level - STEP 3b



Tie-back for Ladder Series - STEP 3b

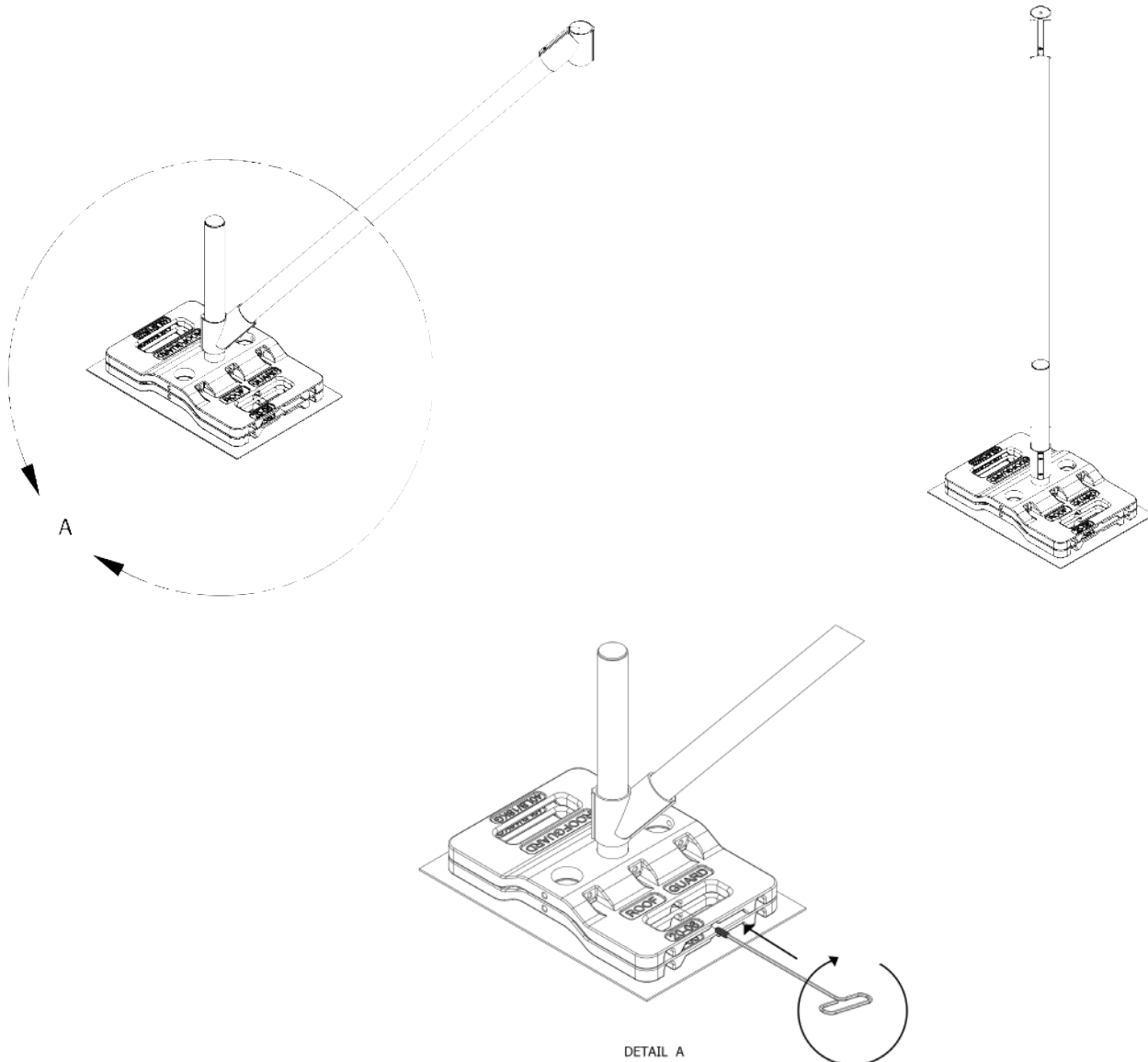
- Set screws in all fittings should be tightened to approximately 18 ft-lbs. If torque wrench is not available, tighten set screw until it contacts pipe, then tighten one more full revolution.
- Plug open top with RG-Cap.
- 6' rails between posts – for tie-back counterweights.
- Top of top rail should be 42" above walking surface for tie-back.
- Center of Mid-Rail should be 21" above walking surface for tie-back.
- Refer to unique layout drawing for your system for specific details.



WARNING

Failure to Read, Understand, and Follow the Installation Manual may result in injury or death

Figure 7 - Post/Base Connection - Diagonal Bracing and Tie-back



Post/Base Connection - Diagonal Bracing and Tie-back

- Post into base – diagonal brace or tie-back – two baseplates.
- Post may be installed in any of the 3 holes to prevent tripping or positioning base near existing features.
- One set-screw in the bottom baseplate required to be secured against post.
- Torque to 25 ft-lbs. If torque wrench is not available, tighten set screw until it contacts pipe, then tighten 1.5 more revolutions.

It is the user's responsibility to maintain the railing system in good working condition to ensure proper function of the railing system

! WARNING

Failure to Read, Understand, and Follow the Installation Manual may result in injury or death



WARNING

IMPROPER USE OR INSTALLATION OF THIS EQUIPMENT MAY CAUSE INJURY OR DEATH

Failure to Read, Understand, and Follow the Installation Manual may result in injury or death

DO NOT lean on the railing

DO NOT stand or climb on the railing

DO NOT use rail as a tie-off point

DO NOT use rail for lifting or hoisting

DO NOT install railing within 10-feet of any electrical lines

DO NOT use if any component is found defective or damaged

DO NOT attach banners, signs, or equipment to rail.

DO NOT apply an excess force to the top rail which could cause tipping

DO install on a clean, dry, flat surface per Installation Manual

DO read and follow this document (Installation Manual) and details on System Drawing

Roofguard and Gargoyle systems are designed and are to be used only for their intended purpose. The use of these guardrail systems or their individual components for any other purpose **may cause injury or death.**

Fall Protection Warranty

Please refer to website for product warranty information.

fallsafetysolutions.com/terms-conditions/

factorysupply.com/terms-conditions/



LIFTSAFE
FALL PROTECTION

Liftsafe Fall Protection
409 Harmony Road
Ayr, Ontario N0B 1E0
1(800) 977-2005
info@liftsafeinspections.com
www.fallsafetysolutions.com



FACTORY
SUPPLY.COM

Factory Supply
8001 Tower Point Drive
Charlotte, NC 28227
1(888) 242-3045
sales@factorysupply.com
www.factorysupply.com