

FS **FACTORY**
SUPPLY.COM

HELI GRADE SOLUTIONS

PROVIDING ACCESS PRODUCTS FOR OVER 20 YEARS.

Factory Supply provides a wide selection of access products and industrial equipment, including ladders, work platforms, fall protection products, material handling solutions, aircraft platforms and more.

Not only are we the **original supplier of access products** in the St. Petersburg, Florida area, we are also the most reliable experts in the industry, simplifying the purchasing process by offering a better, more globalized shopping experience for our customers.

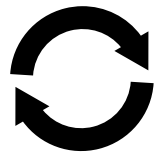
OUR PROCESS



CONCEPT

With your input, we will develop initial concept drawings of the custom solution.

This is essentially our jump off point.



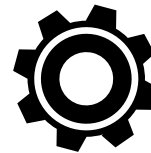
DEVELOPMENT

Development includes the editing of the initial concept into a functional and buildable solution, where our expert staff will consider materials, dimensions, and building methods.



DESIGN

Our team will use Inventor to build your design in 2D and 3D. Any final edits will occur at this stage.



MANUFACTURE

Our engineering and fabrication teams will collaborate to bring your innovative solution to life.



COMISSION

To ensure quality control, we exhaustively test the functionality of the piece of equipment and work out any kinks in the design as necessary.



SERVICE / SUPPORT

We provide industry leading service and support, including technical expertise, engineering and design capabilities, manufacturing excellence, and post delivery support.

CONTENTS

4 ABOUT US

6 CUSTOM SOLUTIONS

8 ACCESS STANDS
FSH-1000
FSH-1010
FSH-1030
FSH-1500
FSH-1510
FSH-1530
FSH-1540
FSH-1550
FSH-1600

30 BLADE, COWLING & PARTS RACKS
FSB-0002
FSB-0001
FSPR-0002
FSH-HD-01
FSPR-0001

42 MAINTENANCE STANDS
FSH-EC130-PM
FSH-EC145-PM
FSH-HAS-01
FSH-S92-PM
FSH-UH60-PM

54 WARRANTY

ABOUT FACTORY SUPPLY

In business for over 20 years, Factory Supply provides a wide selection of ground support equipment, access products, fall protection solutions, material handling products and more. We are the original supplier of access products in the Charlotte, North Carolina area, and we are the most reliable experts in the industry. Our customers often have special needs where they cannot safely apply standard, off-the-shelf products to solve their access quandaries, which is where our custom department comes in.

Factory Supply joined the Liftsafe Group of Companies in 2018, further enabling us to serve you better, whether you are looking for standard or custom products. The Liftsafe Group of Companies consists of five distinct companies, each specializing in specific industries while providing exceptional products and services. Liftsafe employs over 150 experts including in-house engineering, a full design team, fabrication teams, inspection teams, expert office team, quoting and service team, and an experienced management team.

FACTORY SUPPLY IS PROUD TO DESIGN AND MANUFACTURE ALL OF OUR HELICOPTER SAFETY SOLUTIONS IN THE U.S.A!

 NATO N/CAGE CODE: 1Q6T4

OUR VALUES

We're committed to providing the highest level of safety solutions to our customers to ensure a stable and safe environment for all users and staff.

OUR PRODUCTS REPRESENT

- Strength
- Reliability
- Safety
- Durability
- Compliance





OUR FOCUS

Creating innovative safety products for a variety of industries.

SOME OF THE INDUSTRIES WE WORK WITH INCLUDE

- Construction
- Manufacturing
- Government, Defense and Security
- Aviation and Aerospace
- Automotive
- Education
- Energy
- Material Handling

YOUR SAFETY IS OUR BUSINESS

Using a collaborative approach, our in-house design department at Factory Supply works closely with the engineers, designers, project managers and skilled trades of our parent company, Liftsafe Group of Companies, to ensure a cross-pollination of technical knowledge and ideas. This allows us to provide our customers with the best custom access solutions with all custom work designed and engineered to the highest standards using the latest SolidWorks software. And, by working alongside your engineering, safety and maintenance teams, we develop custom products based on your input, while meeting the most current industry regulations. Together, we will find a solution to address your needs.

If there's one thing that sets us apart from other maintenance equipment companies, it's our willingness to deliver remarkable experiences. We pride ourselves on good old-fashioned customer service, providing quick quotes, innovative design, and high-quality. In addition, we are the go-to industrial product provider for Fortune 500 companies.

WHETHER YOU NEED TO UPGRADE, REPLACE OR YOU'RE LOOKING FOR YOUR FIRST SYSTEM, OUR EXPERTS HAVE THE RIGHT SOLUTION FOR YOU.

TAILORED PRODUCTS FOR UNIQUE GROUND SUPPORT NEEDS.

U.S.
COAST GUARD

GROUND
BARKING
HERE

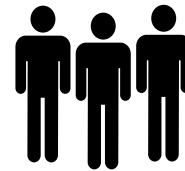
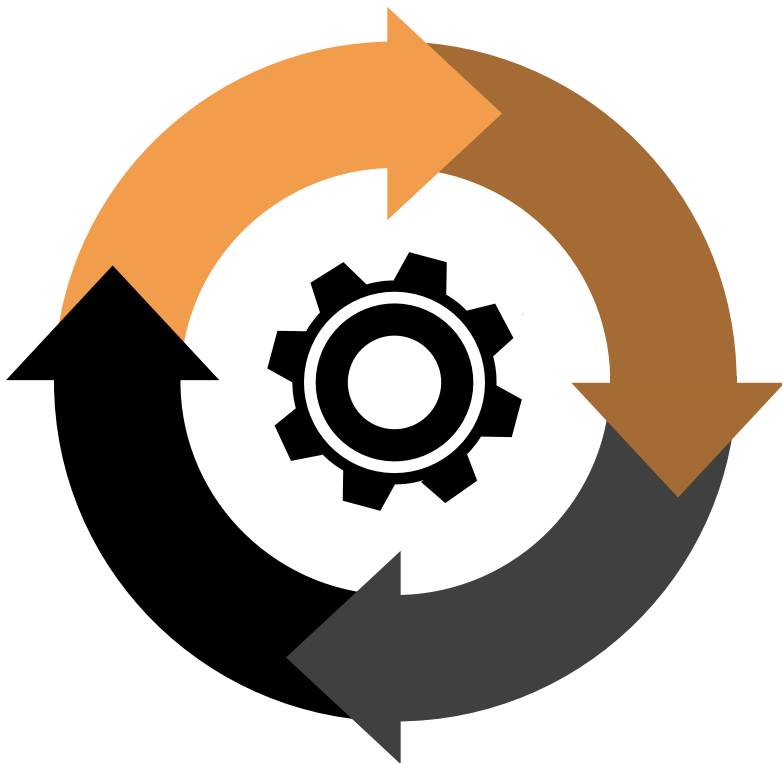
CAUTION
HIGH VOLTAGE
DO NOT TOUCH

AIR INTAKE
AVIATION
SYSTEM
AIR COND

HERE

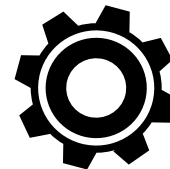
WORLD CLASS CUSTOM DESIGNED PRODUCTS.

Whether you only have an idea or you already have drawings, our goal is not only to make your vision a reality, but to exceed your expectations. We do this with our collaborative approach to design and engineering. We work together with your team to truly understand your needs, identifying the product requirements and challenges. This synergistic approach enables us to create an appropriate solution while ensuring quality, safety and reliability of our custom designed products.



OUR TEAM

With extensive experience behind our in-house design and engineering team, we are skilled at conceptualizing and designing various access products.



DESIGNED TO LAST

Between our innovative designs, quality materials, and world-class fabrication, we guarantee you will be impressed with the longevity of our products.



SIMPLISTIC DESIGNS

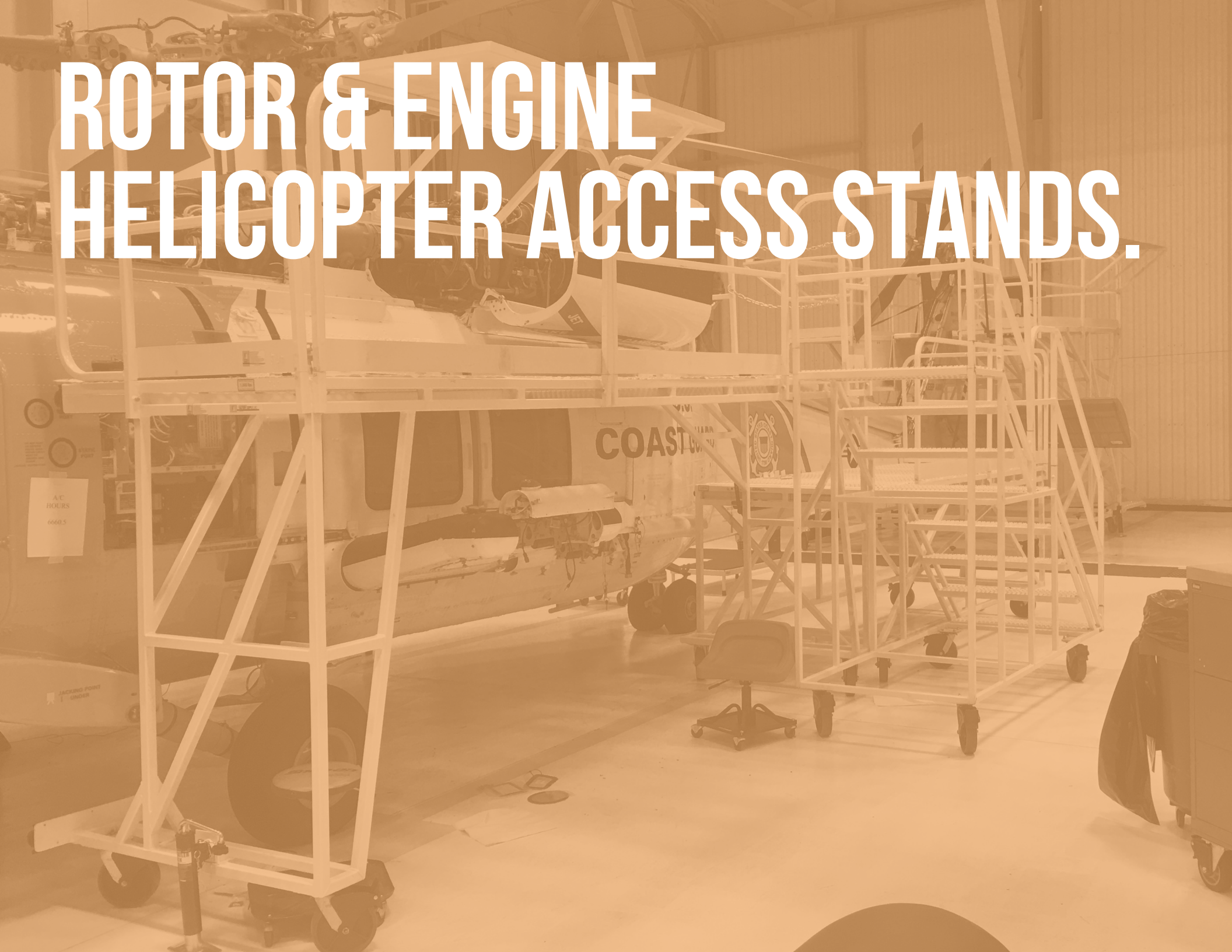
We keep our designs simplistic to avoid any future mechanical issues while also ensuring that our products are easy to maneuver.



INNOVATION

Using the newest technologies, such as SolidWorks 3D modeling software, in combination with our streamlined processes, our experts provide unique solutions to your equipment needs.

ROTOR & ENGINE HELICOPTER ACCESS STANDS.



PROPELLING YOU TO NEW HEIGHTS.

Factory Supply designs and engineers maintenance access stands specifically for the rotary aircraft industry.

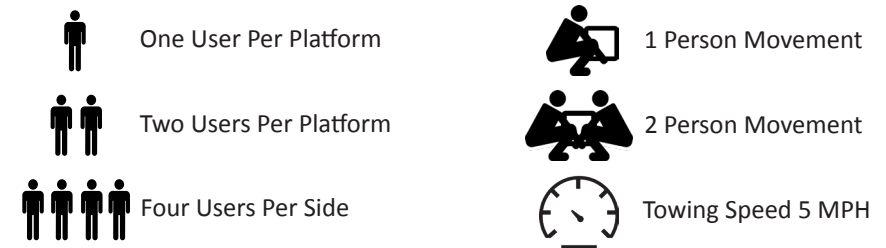
Complex machines, with a number of moving parts and a complicated combination of rotor craft components, we offer both standard and custom ground support equipment to allow safe access to difficult-to-reach areas of your helicopter fleet. The important work on the ground ensures your fleet stays in the air, while keeping your maintenance crews safe.

With a complicated combination of rotor craft components, Factory Supply's Heli Grade Solutions help to make work on helicopters a safer and more productive process for your maintenance technicians. Technicians can use these stands on routine inspections, maintenance, and repair of components such as helicopter fuselage, engine, rotor and tail, with each stand having various load capacities ranging from 350 lbs to 1,500 lbs per side. Each stand is equipped with padding on all contact areas of the frame and platform to protect the helicopter from accidental bumps. In addition, all of our Heli Grade Solutions are engineered to meet or exceed OSHA and ANSI standards.

Aside from providing a safe working platform for your technicians, other benefits of a Factory Supply's Heli Grade Solutions include easy storage, anti-slip and anti-bounce tread, high durability steel or aluminum construction, height adjustability options, as well as your choice of powder coat or custom color to coordinate with your brand. Between our innovative designs, quality materials, and world-class fabrication, we are positive that you will be impressed. Our goal is not only to make your vision a reality, but to exceed your expectations.

Our expert team will work with you to develop a product that is suitable to your particular needs.

ICON LEGEND

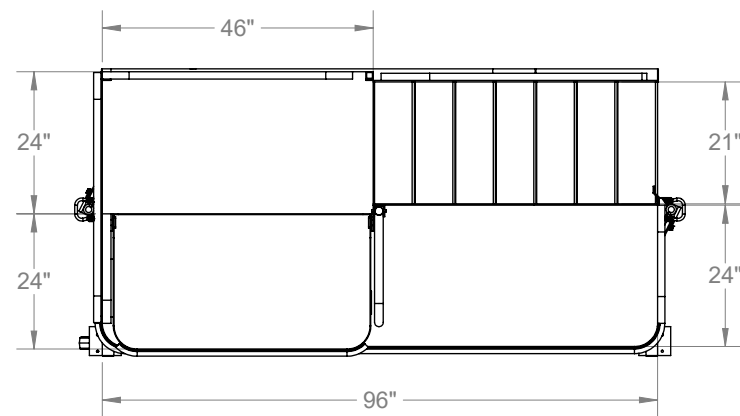
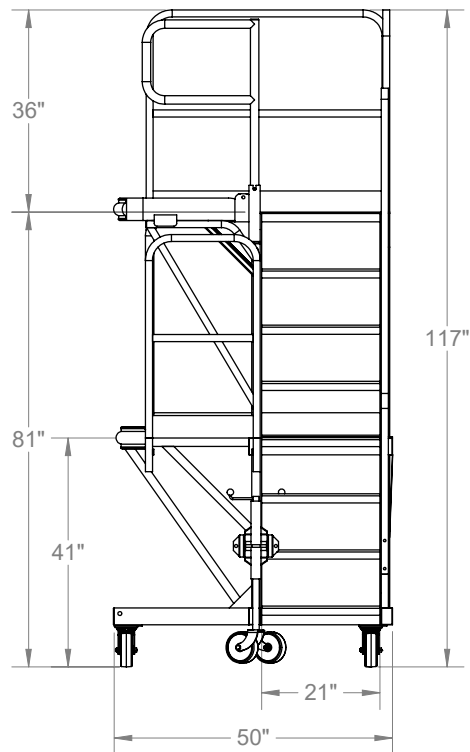
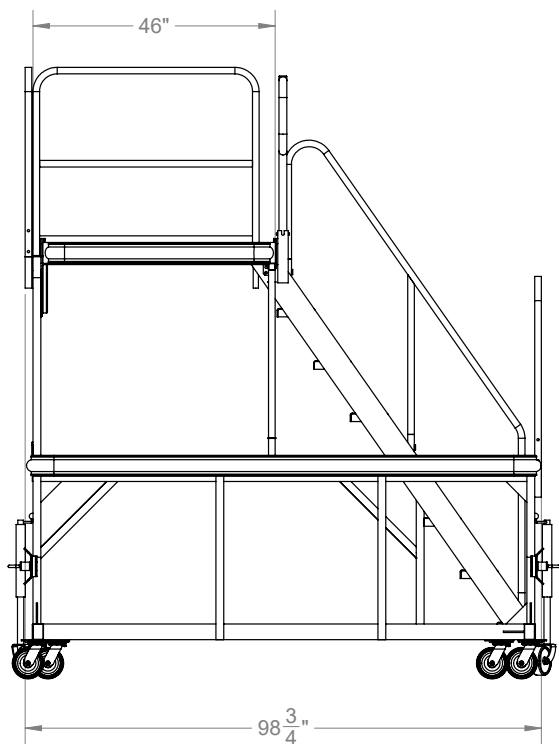




UPPER ACCESS PLATFORM IN EXTENDED POSITION



UPPER ACCESS PLATFORM IN FOLDED POSITION

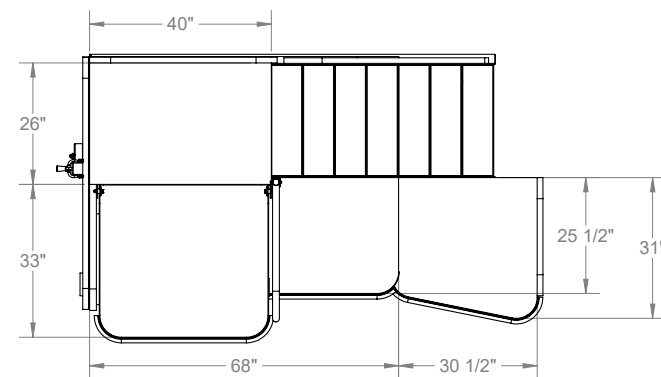
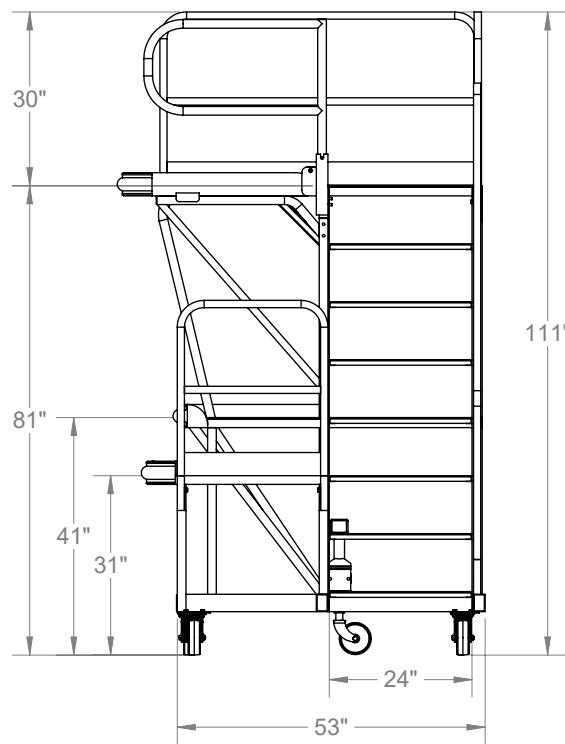
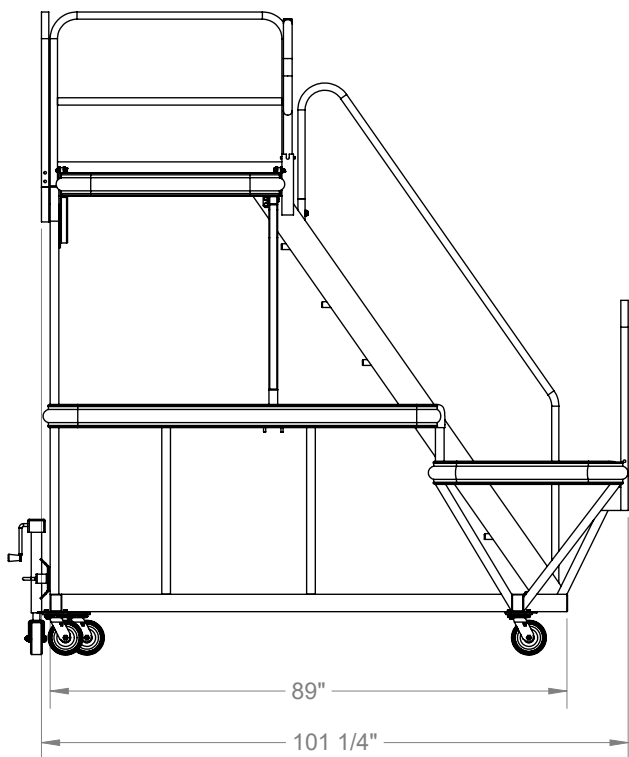


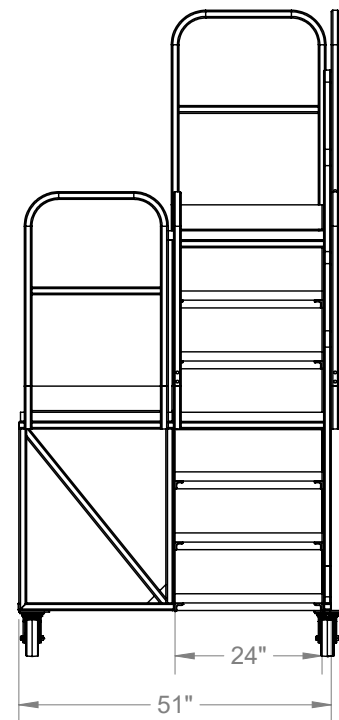
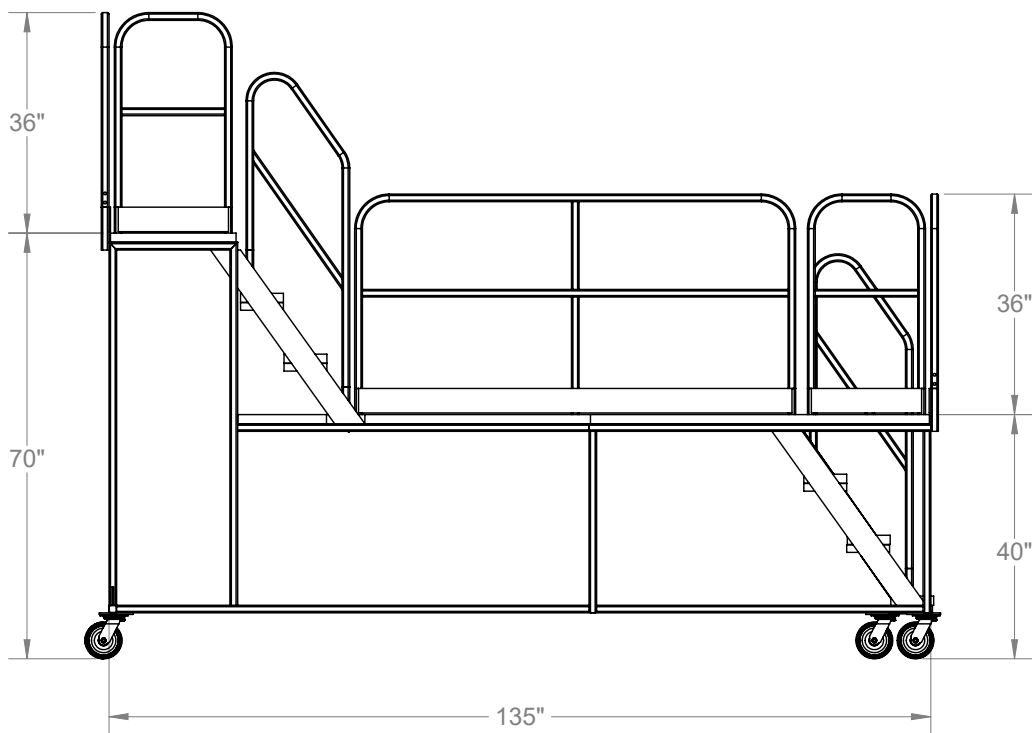
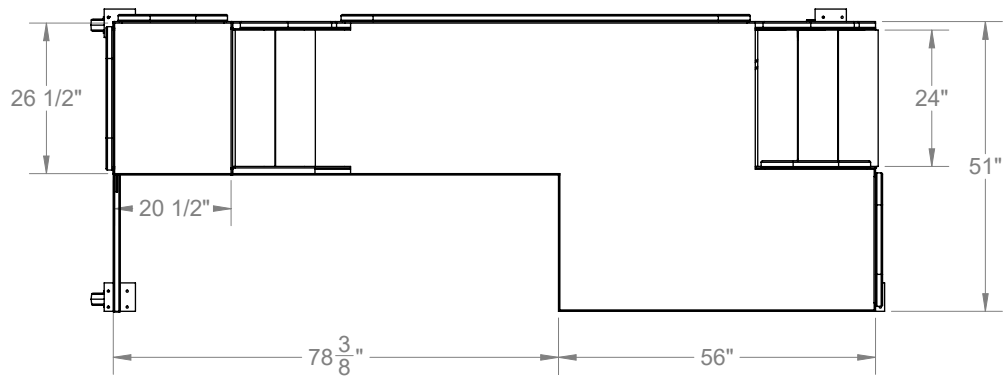
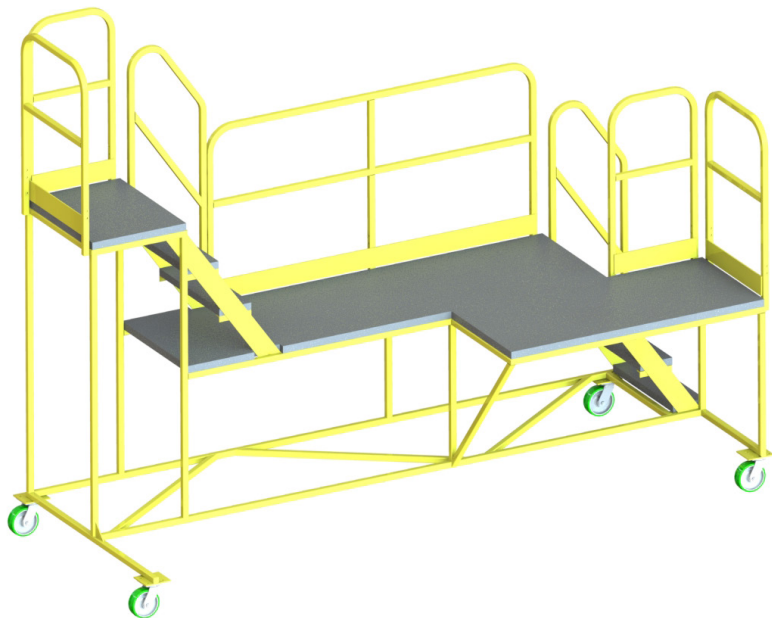


UPPER ACCESS PLATFORM IN EXTENDED POSITION



UPPER ACCESS PLATFORM IN FOLDED POSITION





FSH-1500 ACCESS STAND

FOR ENGINE, ROTOR & TAIL ACCESS
Aircraft technicians use these stands for routine inspection, maintenance, and repair of helicopter components.

HIGHLIGHTS

- Flip down access step
- Light-weight aluminum construction
- Main rotor and tail rotor access
- Rubber bumpers in all contact areas



~~HELL GRADE SOLUTIONS~~



TECHNICAL DATA

Height	96"	Frame Material	Aluminum
Width	40"	Rail Material	Aluminum
Length	70"	Padding Material	Contact Areas
Unit Weight	150 lbs	Caster Size	8"
Shipping Info (DIMS)	96" x 40" x 70" x 150 lbs	Platform Material	Diamond Plate / Fiberplate Composite
Upper Deck Height	70"	Finish	Mill / Powder Coat Handrails
Lower Deck Height	60"	Certifications	OSHA 1926.1053; ANSI-ASC 14.2-2017
Vertical Clearance	96"		
Platform Dimensions	35" x 35"		
Load Capacity	350 lbs		
Deck Capacity	350 lbs		
Stair Capacity	250 lbs		
Step Width	34"		

OPTIONAL ACCESSORIES

Diamond Plate Decking	X
Grip-Strut Tread	X
Tool Trays	X

HELICOPTER APPLICATION

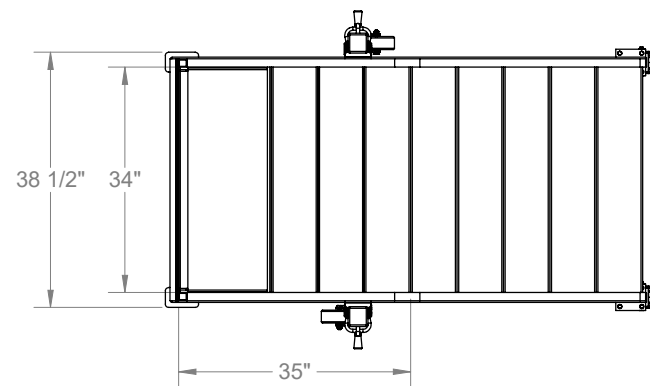
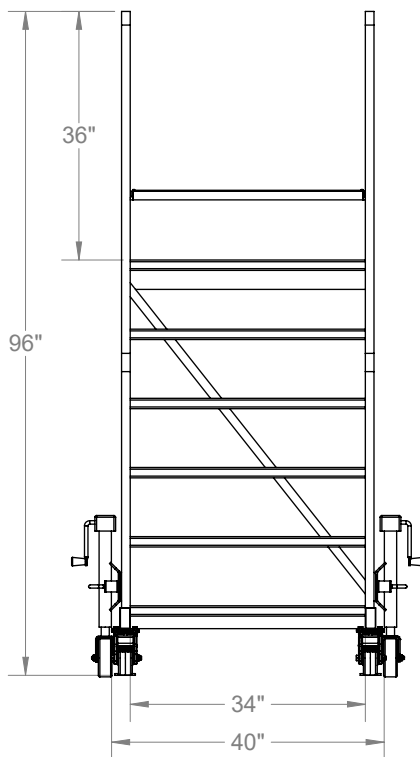
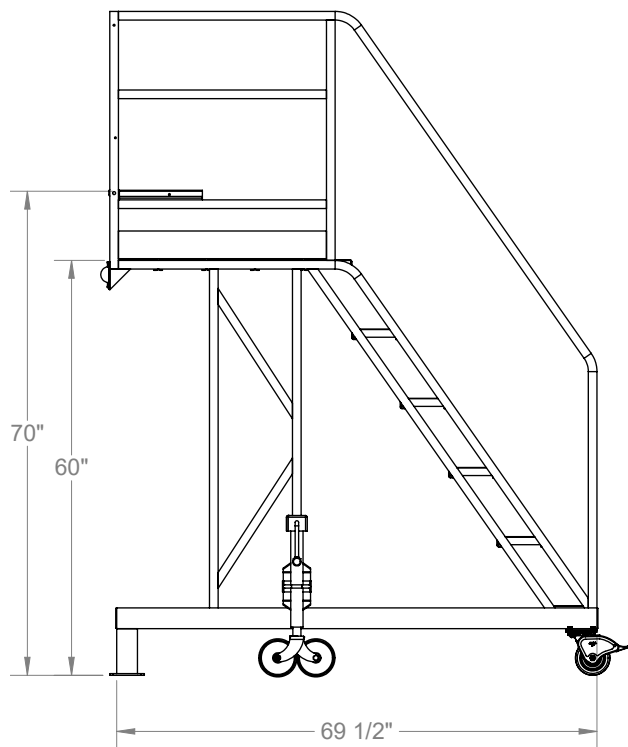
Bell 204 / 205	X
Bell 206	X
Bell 407	X
Bell 427	X
Bell 429	X
Eurocopter / Airbus EC135	X
Eurocopter / Airbus H135	X
Eurocopter / Airbus EC145	X
Eurocopter / Airbus H145	X

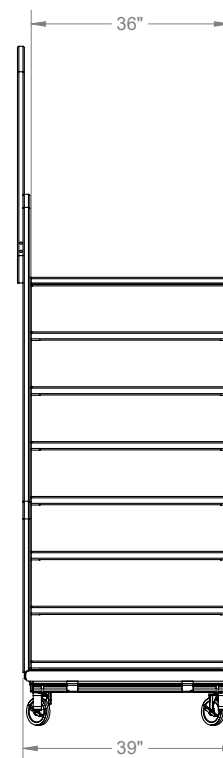
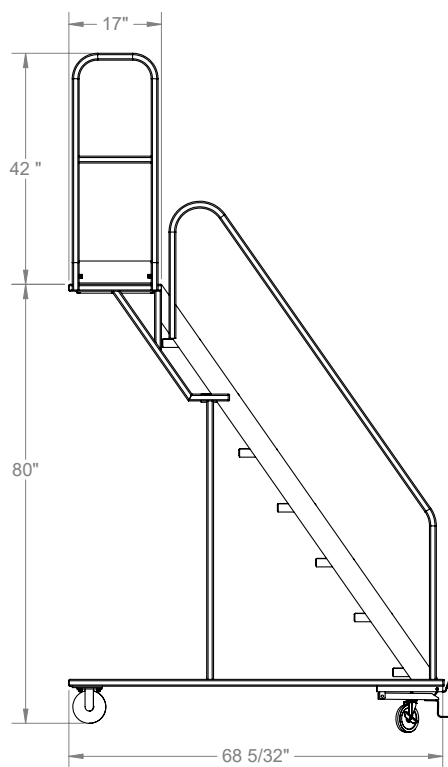
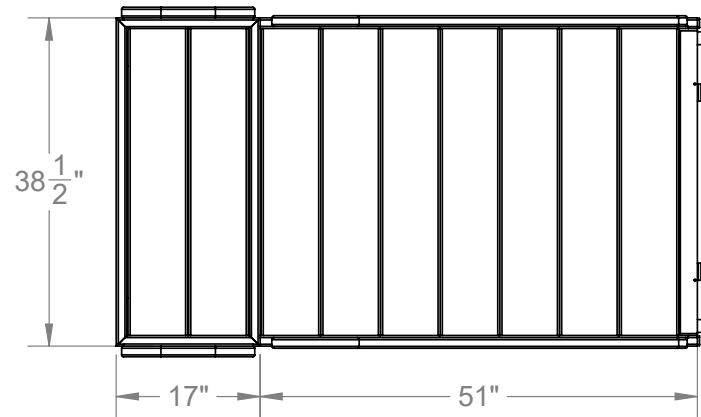
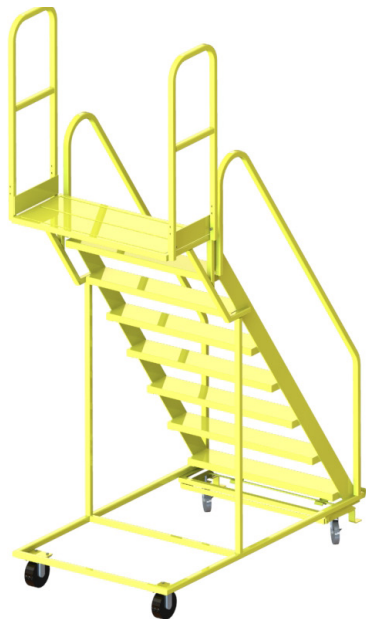


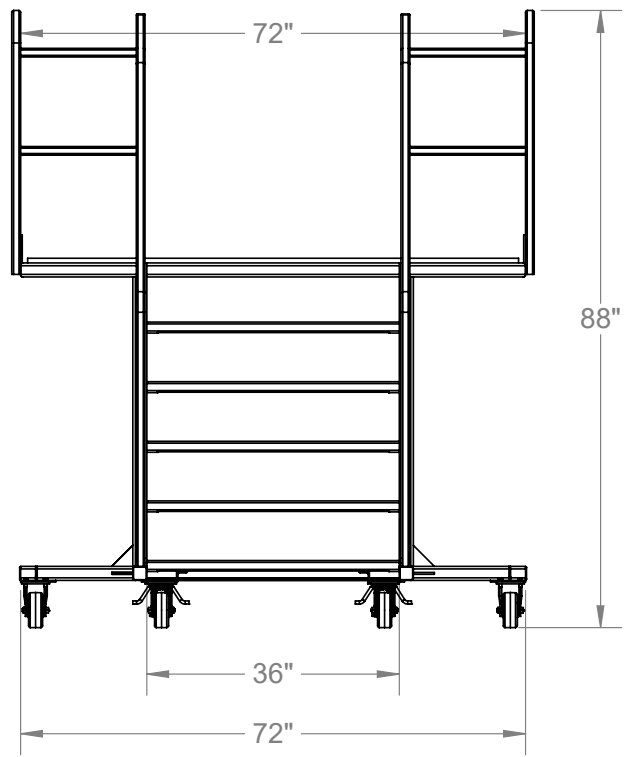
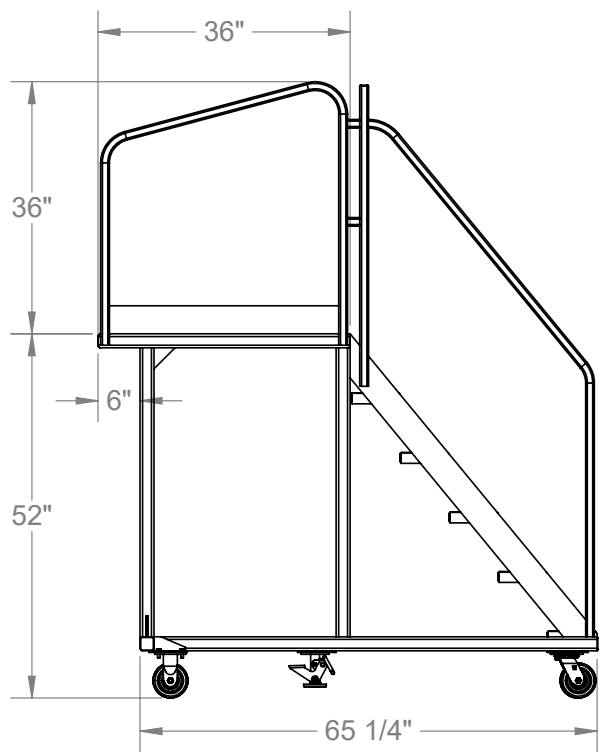
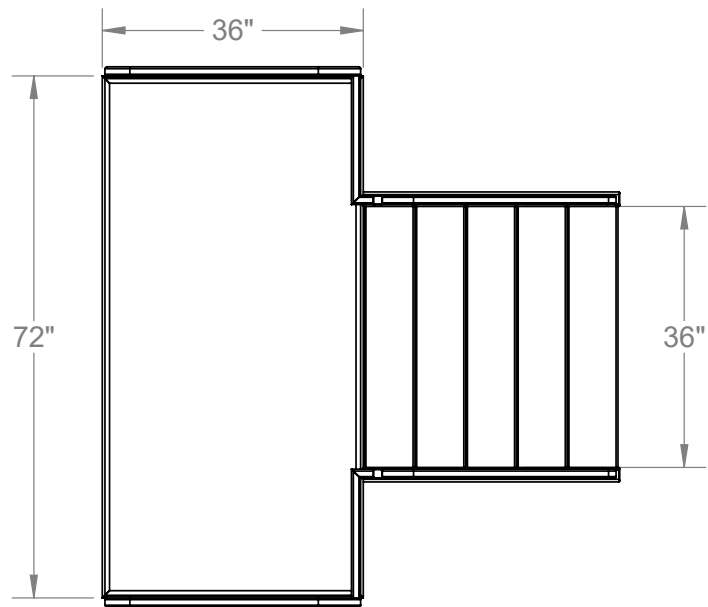
UPPER ACCESS STEP IN EXTENDED POSITION

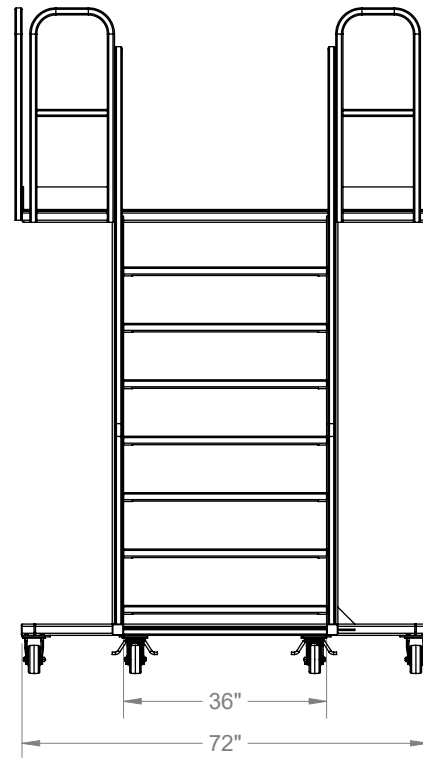
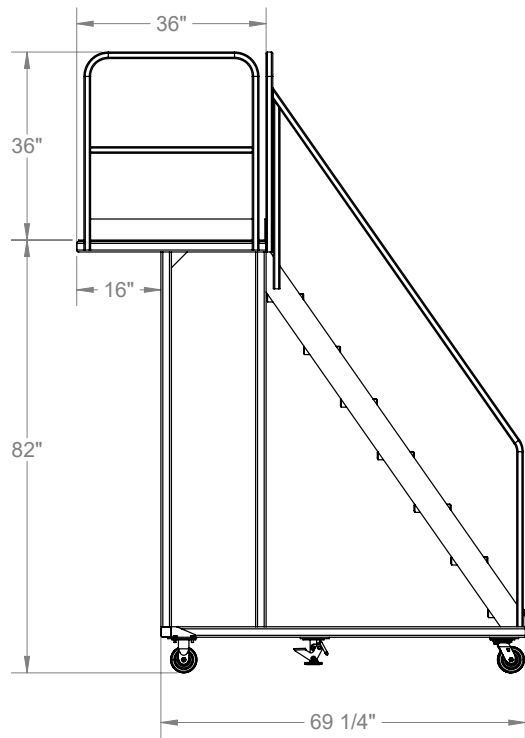
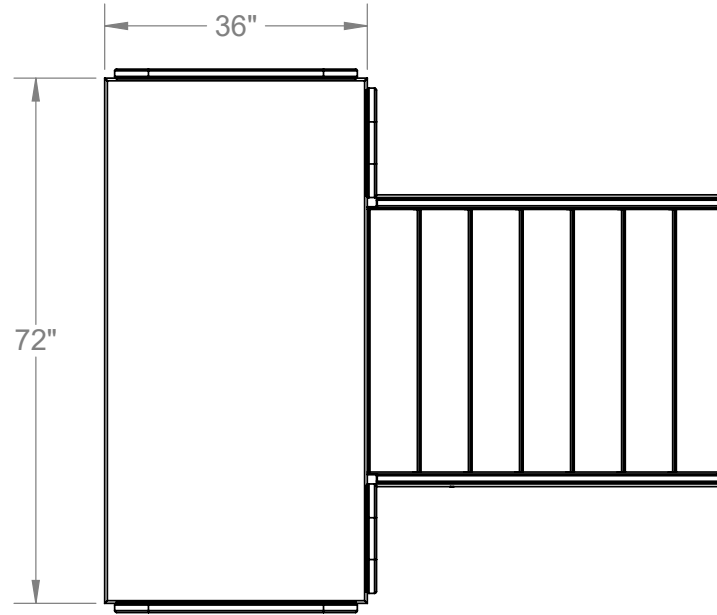


UPPER ACCESS STEP IN FOLDED POSITION







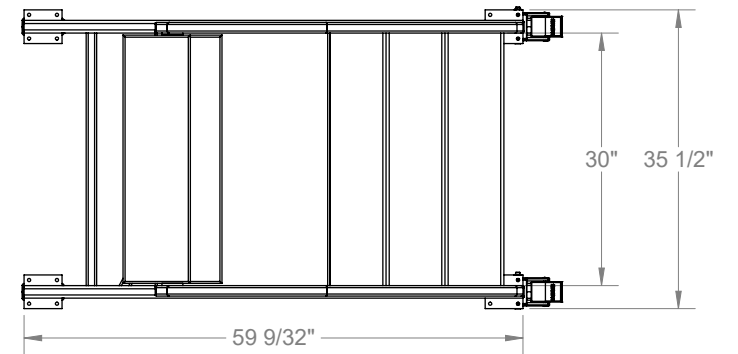
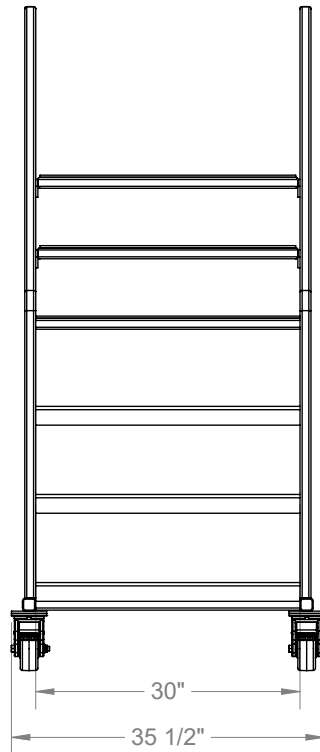
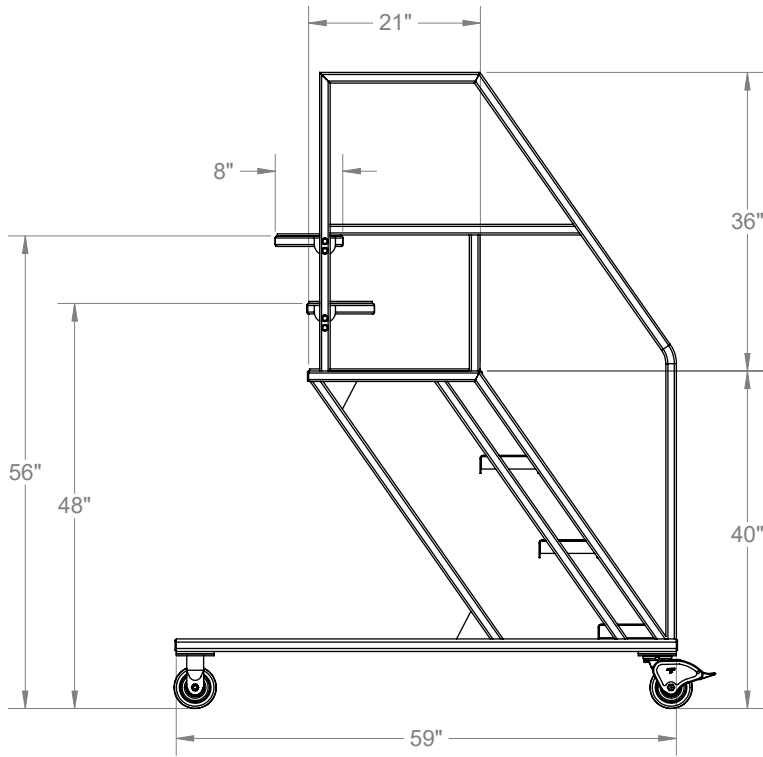


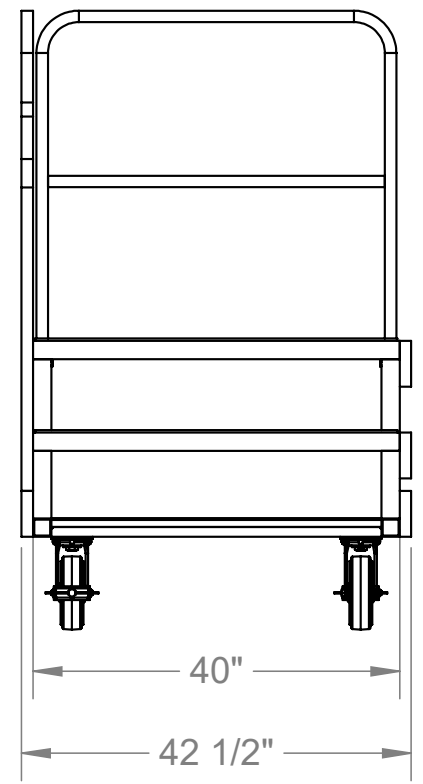
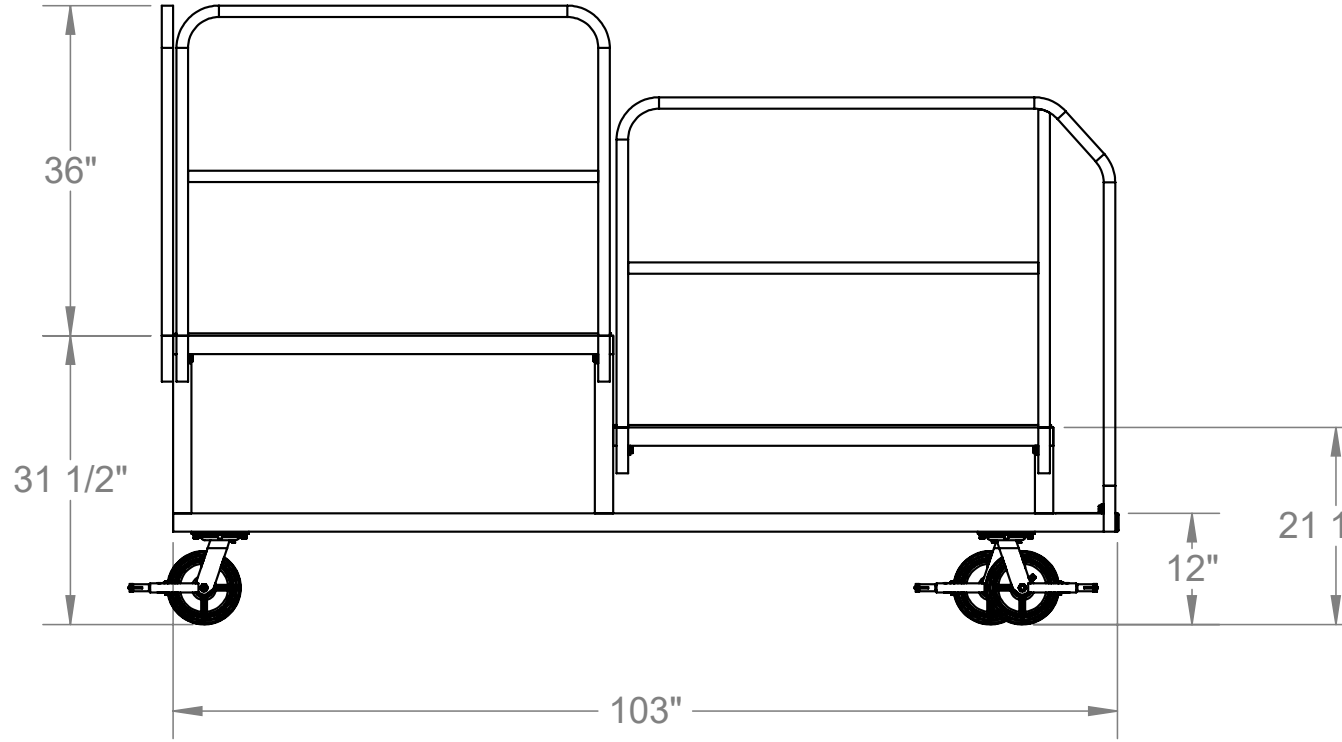
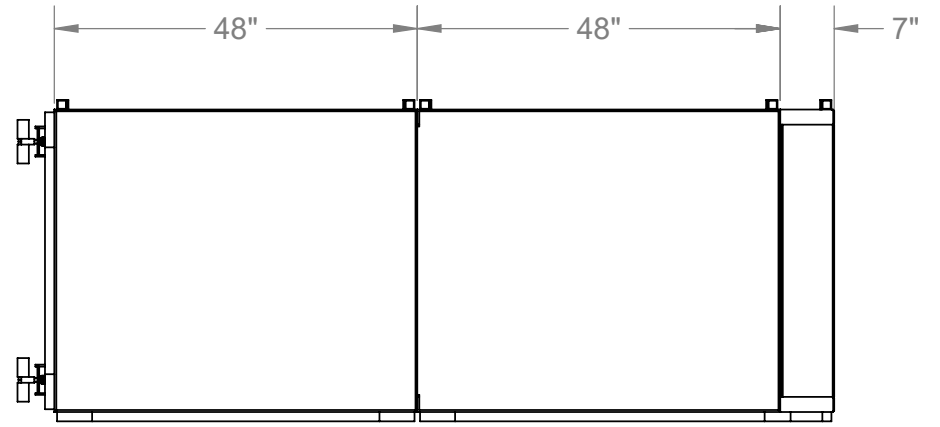
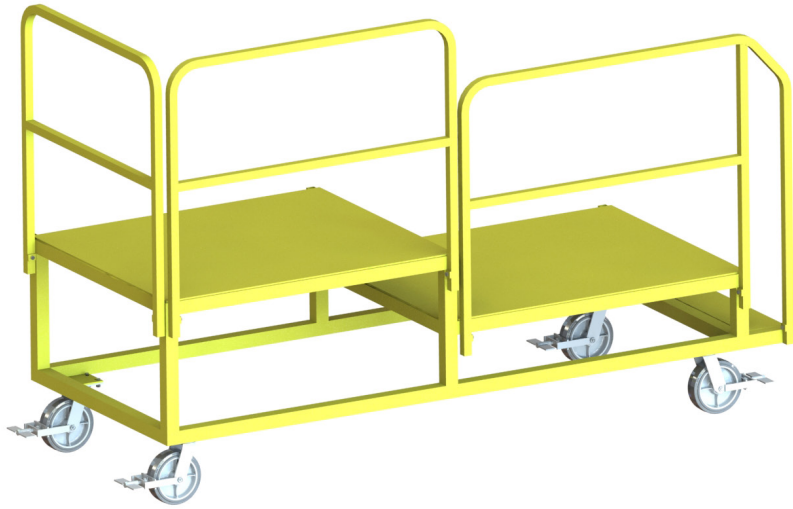


UPPER ACCESS STEPS IN EXTENDED POSITION

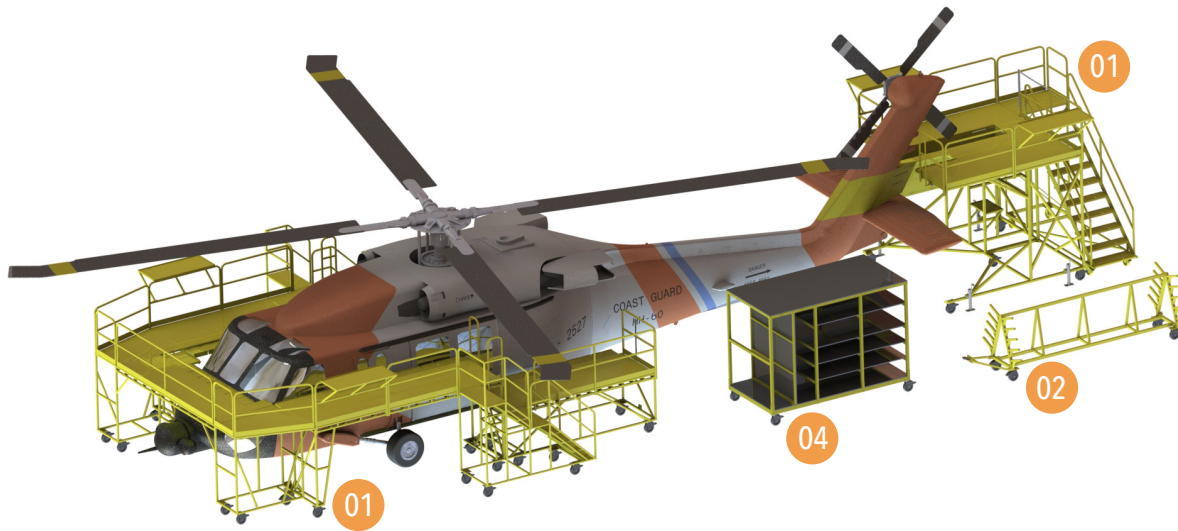


UPPER ACCESS STEPS IN FOLDED POSITION

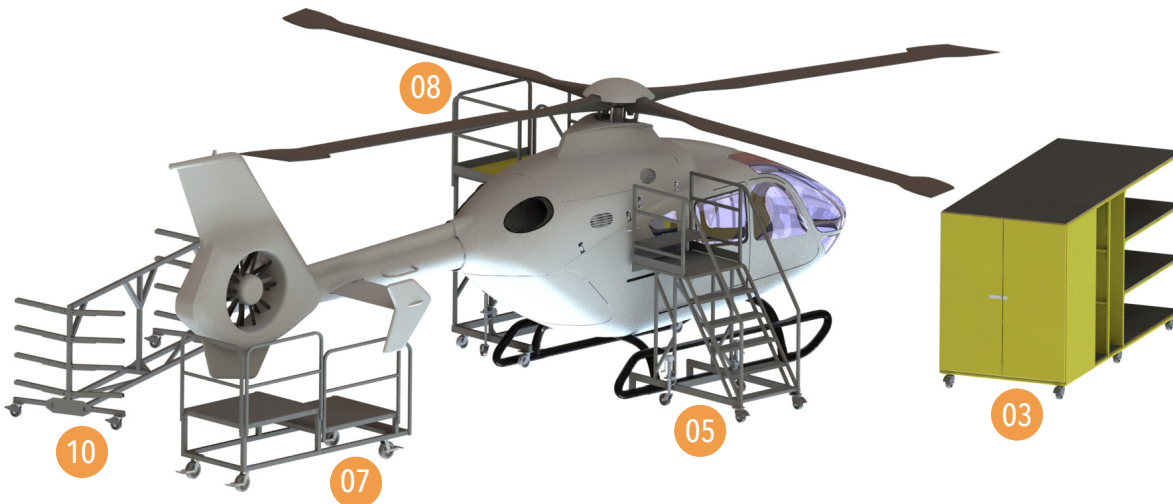




ENGINEERED HELICOPTER GRADE SOLUTIONS



360-DEGREE SAFETY COVERAGE



CUSTOM DESIGNED PRODUCTS & SOLUTIONS

With over 20 years of experience in the aviation, aerospace, defence and space industries, Factory Supply, takes pride in designing tailored safety solutions for your specific application. From our engineers, to design and manufacturing departments, we are equipped to provide full service custom design and expertise.

If you don't see the stand or platform that meets your needs on our website, call us. We are available to assist.

SERVICE AND SUPPORT

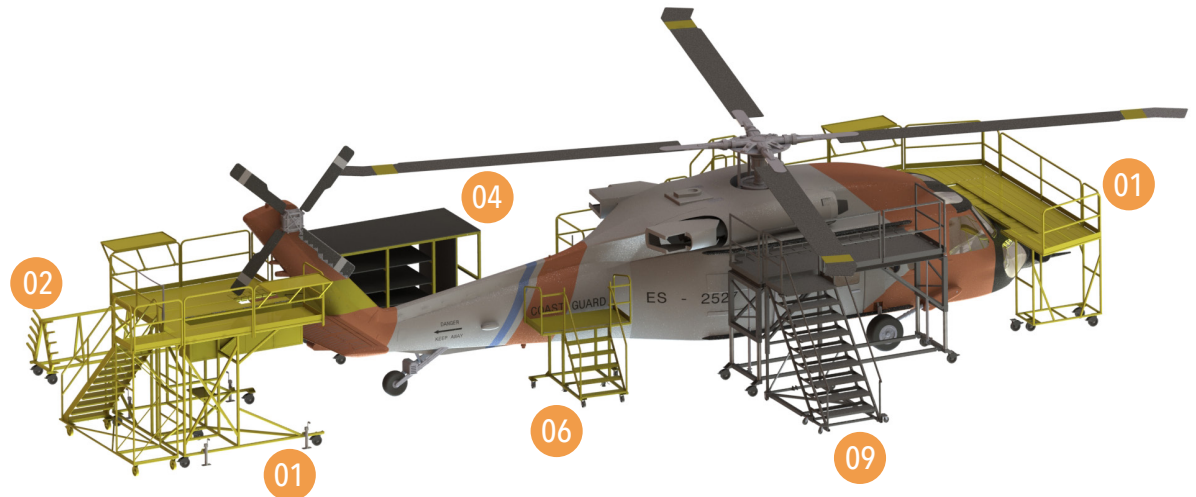
We provide exceptional custom and standard products, which are only a small portion of our product and service offerings.

We provide industry leading service and support, including technical expertise, engineering and design capabilities, manufacturing excellence, and post delivery support and inspection services.

HELICOPTER SAFETY SOLUTIONS DESIGNED TO LAST

LEGEND

- 01 FSH-UH60-PM – SIKORSKY UH60/S70 PHASE MAINTENANCE STAND
Learn More on Page 52
- 02 FSB-0001 – BLADE RACK HEAVY DUTY
Learn More on Page 34
- 03 FSPR-0001 – HELICOPTER PARTS RACK
Learn More on Page 40
- 04 FSPR-0002 - COWLING/PARTS RACK
Learn More on Page 36
- 05 FSH-1500 – ROTOR/ENGINE ACCESS STAND
Learn More on Page 16
- 06 FSH-1530 – ROTOR/ENGINE ACCESS STAND
Learn More on Page 20
- 07 FSH-1600 – ROTOR ACCESS STAND
Learn More on Page 26
- 08 FSH-1000 – BELL 206/407 EUROCOPTER EC135 FUSELAGE STAND/
ENGINE/ROTOR ACCESS STAND
Learn More on Page 10
- 09 FSH-HAS-01 – HELICOPTER HEIGHT ADJUSTABLE STAND
Learn More on Page 48
- 10 FSB-0002 – BLADE RACK FOLDING
Learn More on Page 32

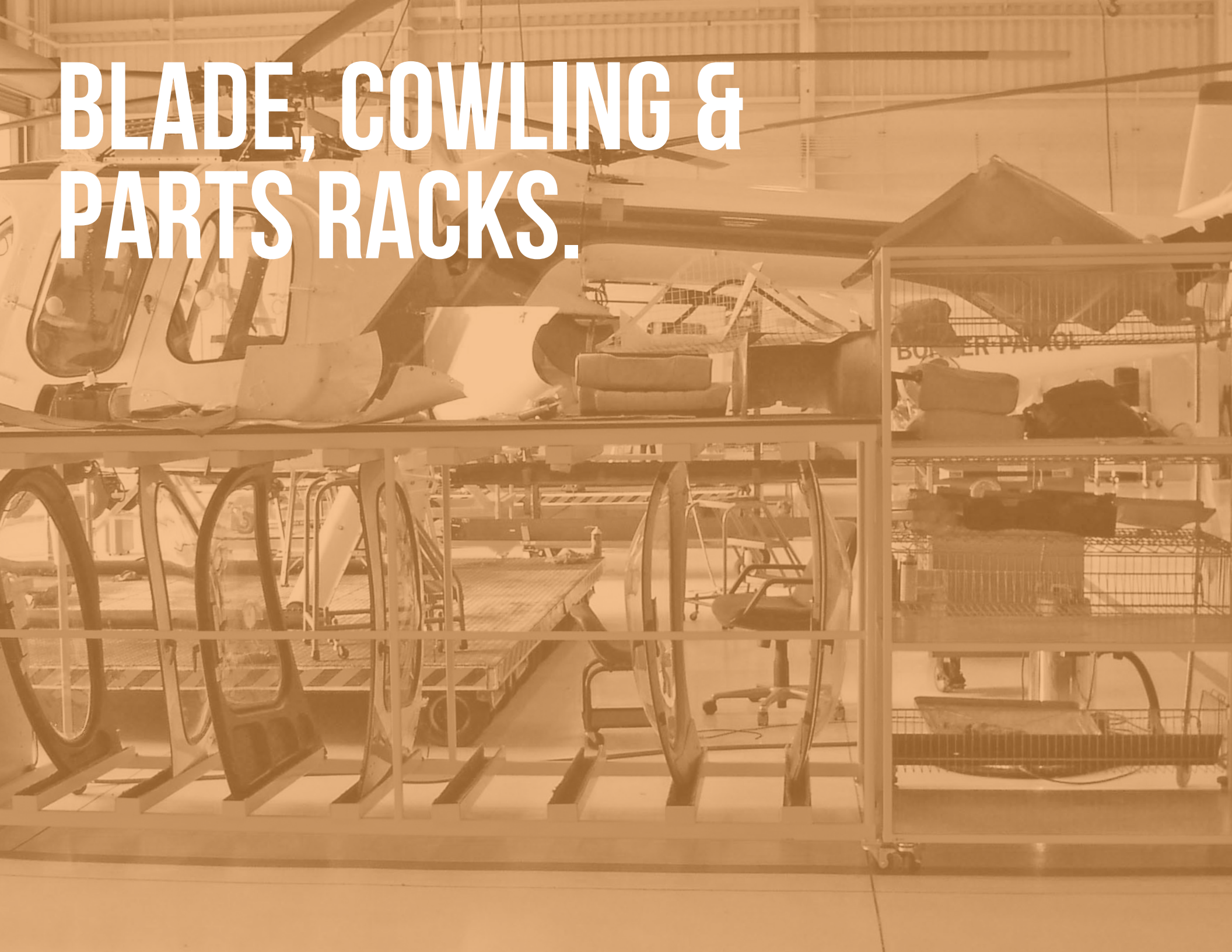


CUSTOMIZABLE HELICOPTER SAFETY SOLUTIONS



OUR STANDS CAN BE DESIGNED TO MEET OR EXCEED ALL MAJOR NORTH AMERICAN AND EUROPEAN STANDARDS INCLUDING ANSI-ASC A14.7, CWB, CSA, BS EN 131.7 AND CE CERTIFICATION.

BLADE, COWLING & PARTS RACKS.



NAVIGATING SAFE STORAGE SOLUTIONS.

Factory Supply offers efficient space saving and industrial organizational tools for your helicopter fleet.

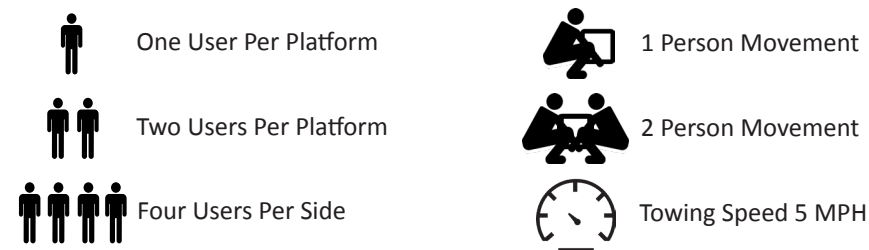
Designed to store a variety of rotor aircraft components, tools and accessories, Factory Supply's Blade Cowling and Parts Racks are ideal for the clever storage of miscellaneous items.

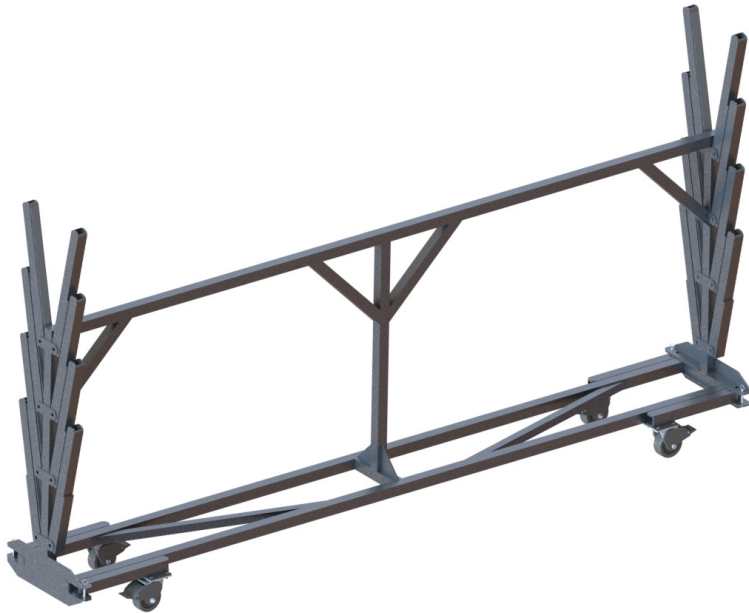
Factory Supply offers universal storage rack systems for helicopter parts and rotor blades in various configurations, each with load capacities ranging from 500 lbs to 4,500 lbs. The specialized storage and maintenance solutions are custom designed for each aircraft, and feature integral non-abrasive pads to prevent blade contact with metal frame components and shelving, as well as oil resistant carpet lining. Easy to maneuver by one or two people, each rack comes with casters and locking cabinets. Blade racks fold when they are not in use, allowing you to optimize the space within your facility.

Designed and manufactured in the USA, the heavy-duty construction of the Heli Grade Solutions Blade Cowling and Parts Racks are fabricated from either lightweight aluminum, ensuring no rust or corrosion, or sturdy steel with a powder coat or custom color finish, based on your specific requirements.

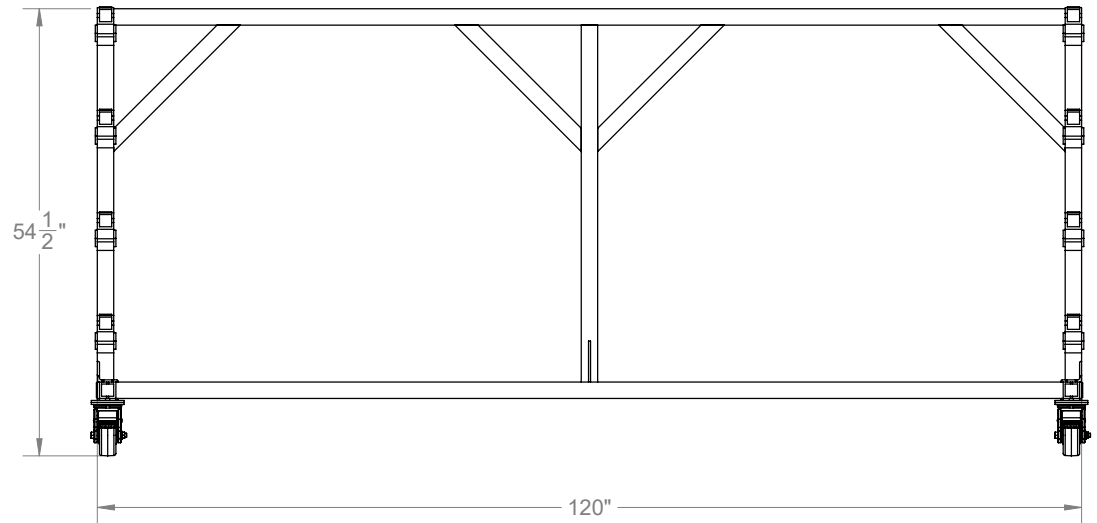
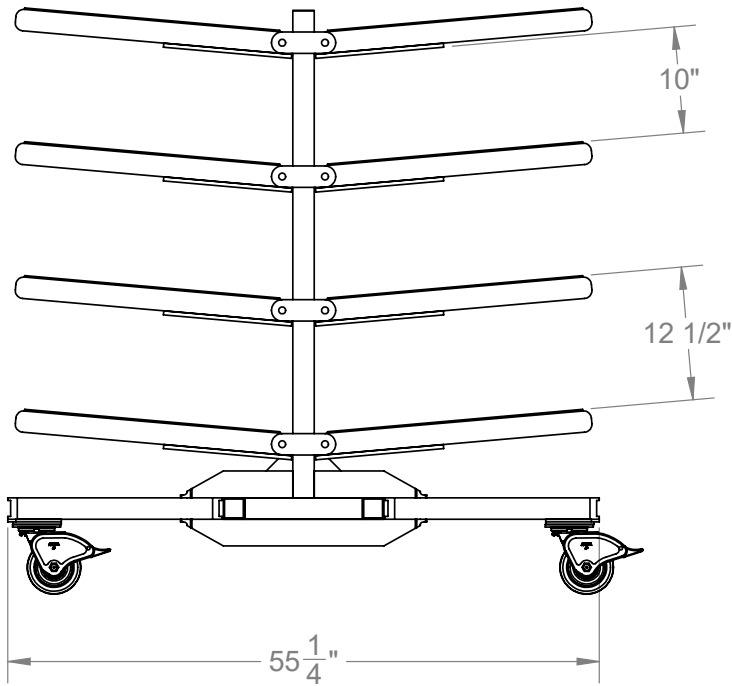
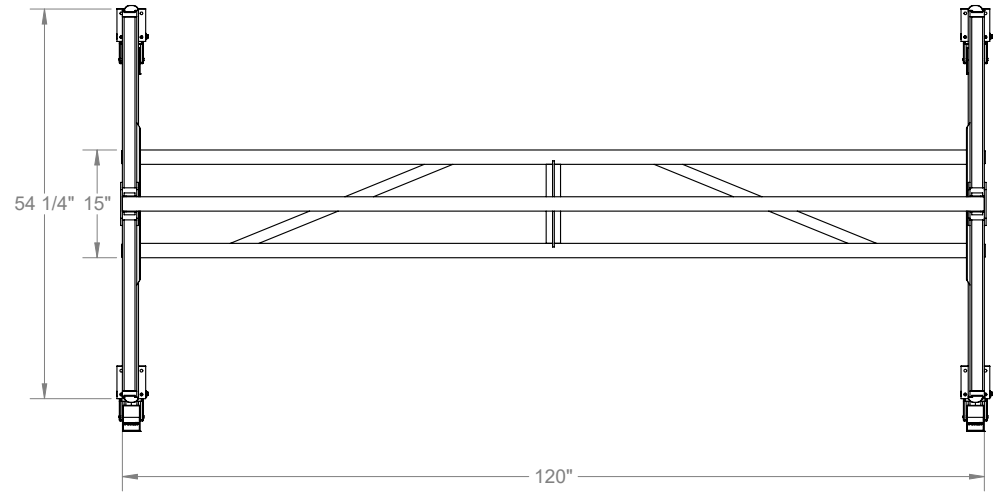
All of our Heli Grade Solutions are built to meet or even exceed OSHA and ANSI standards, and the simplistic design ensures employee safety compliance. In addition, custom solutions are always an option at Factory Supply. If you can envision it, we can engineer it.

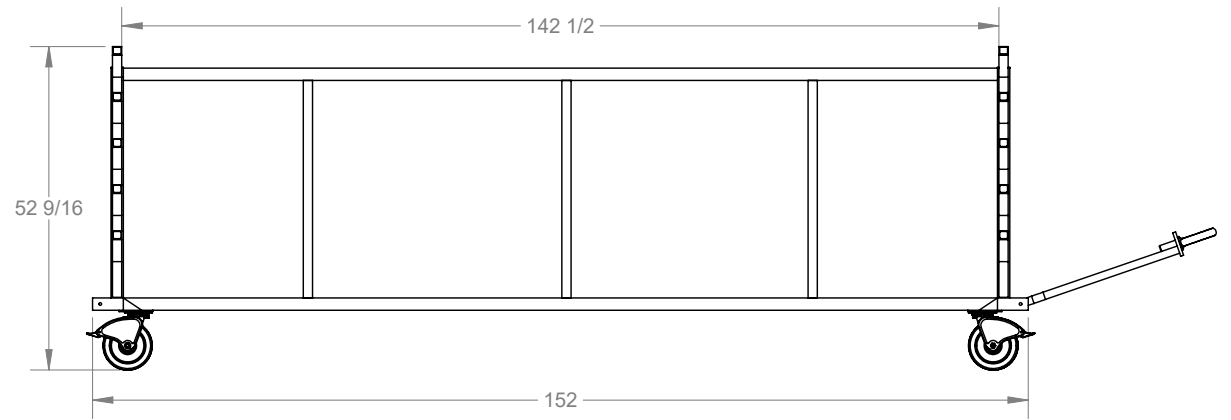
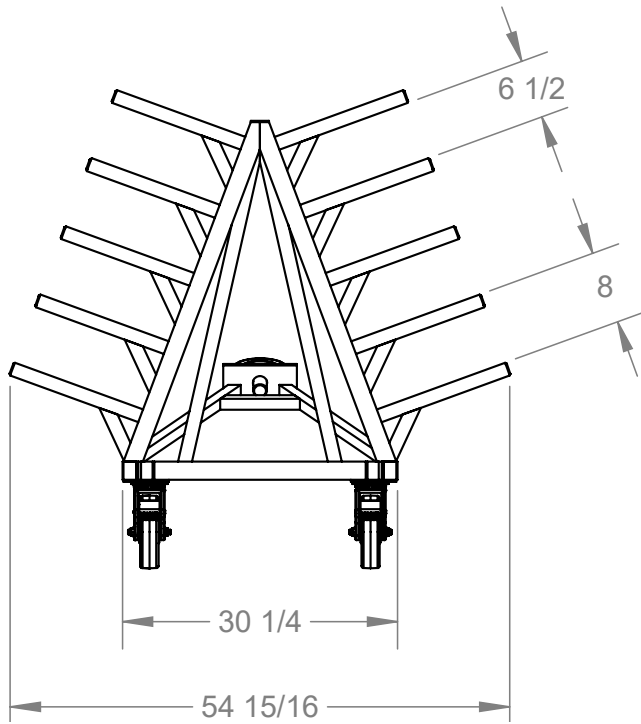
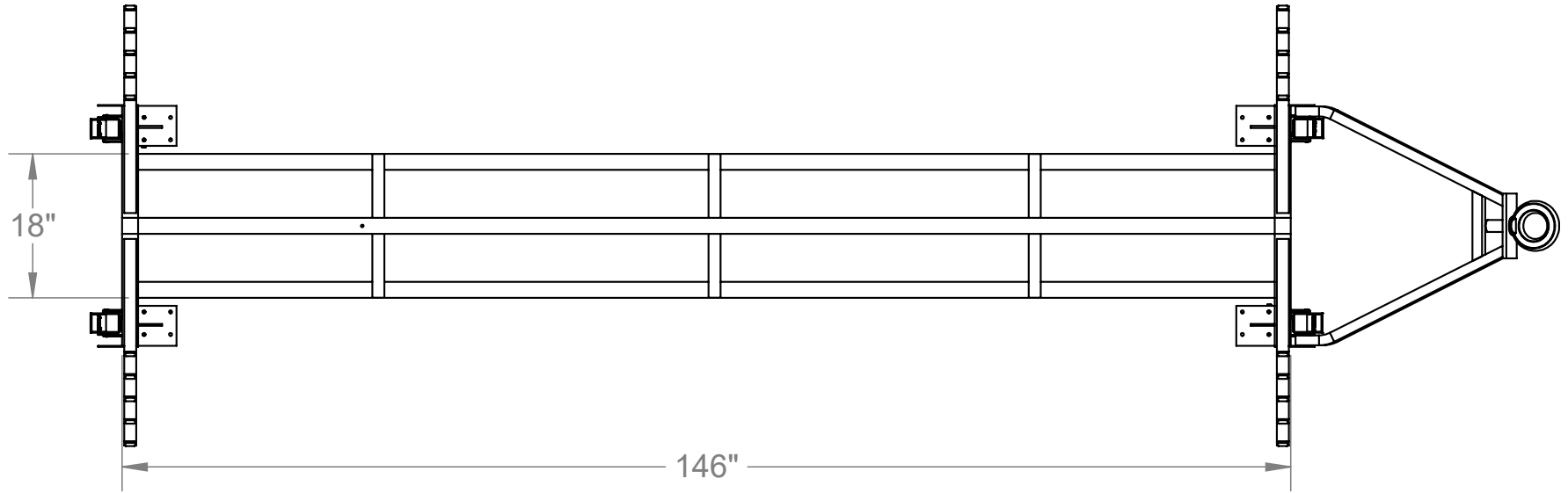
ICON LEGEND

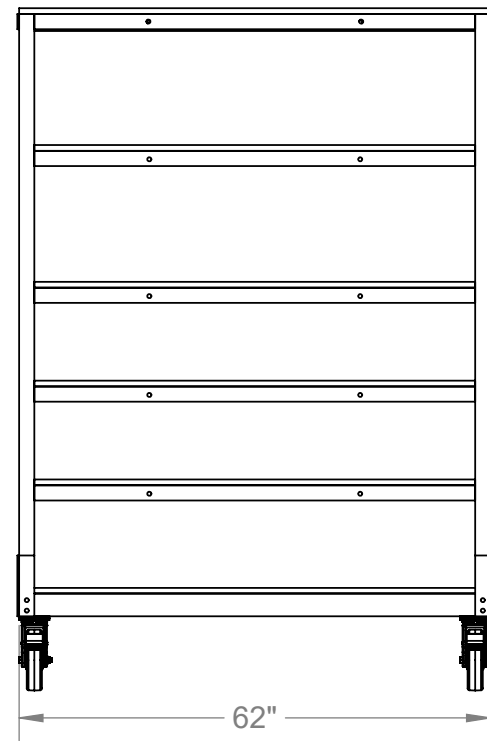
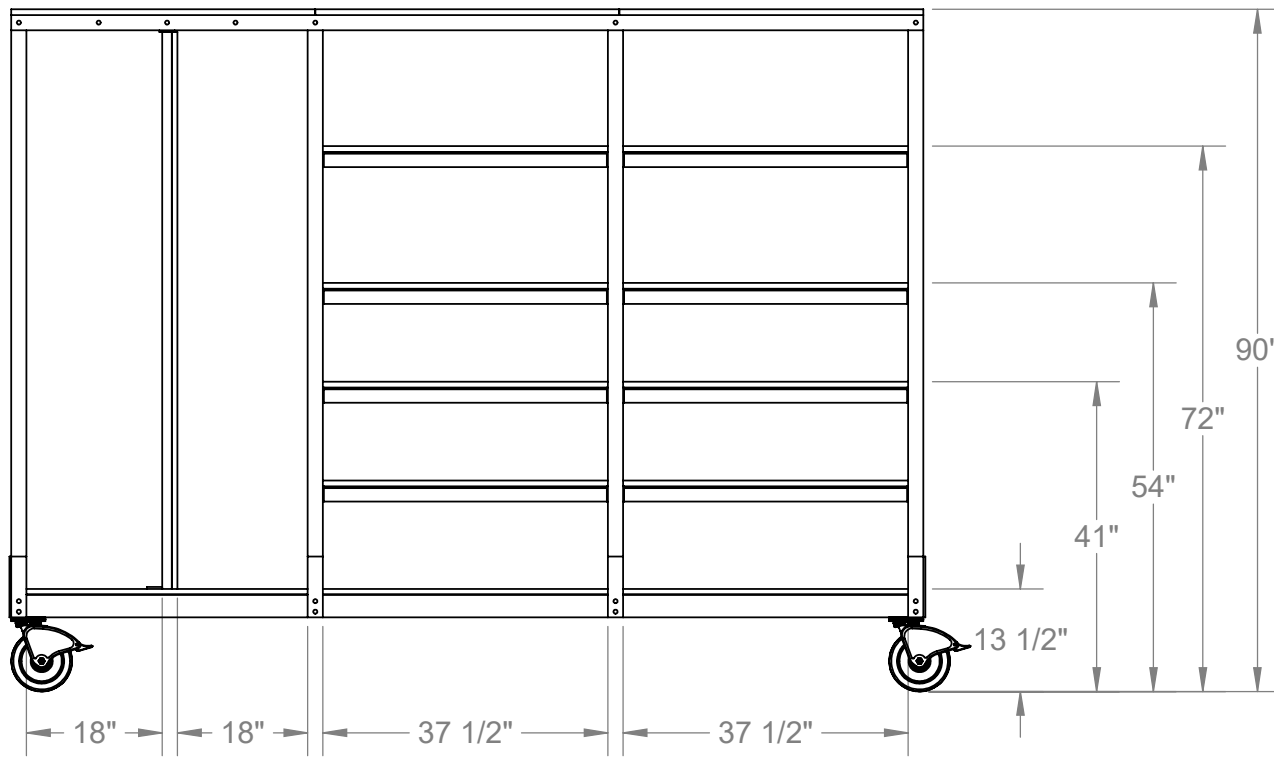
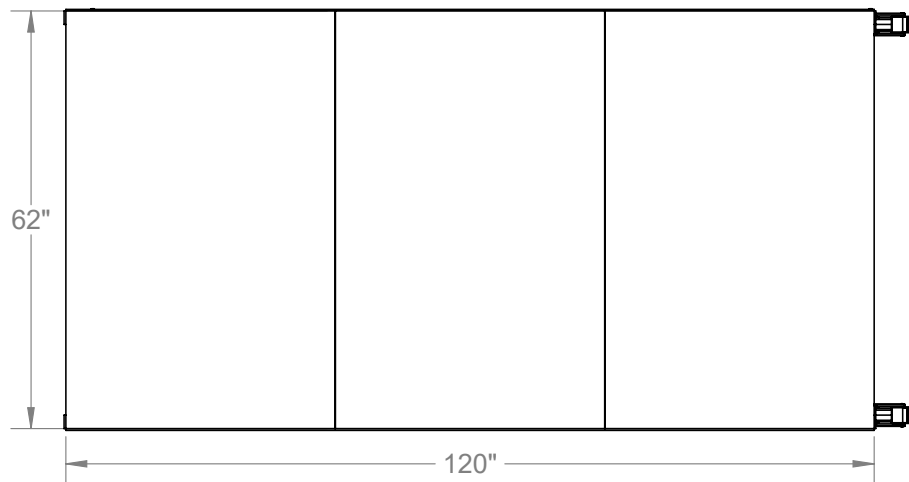
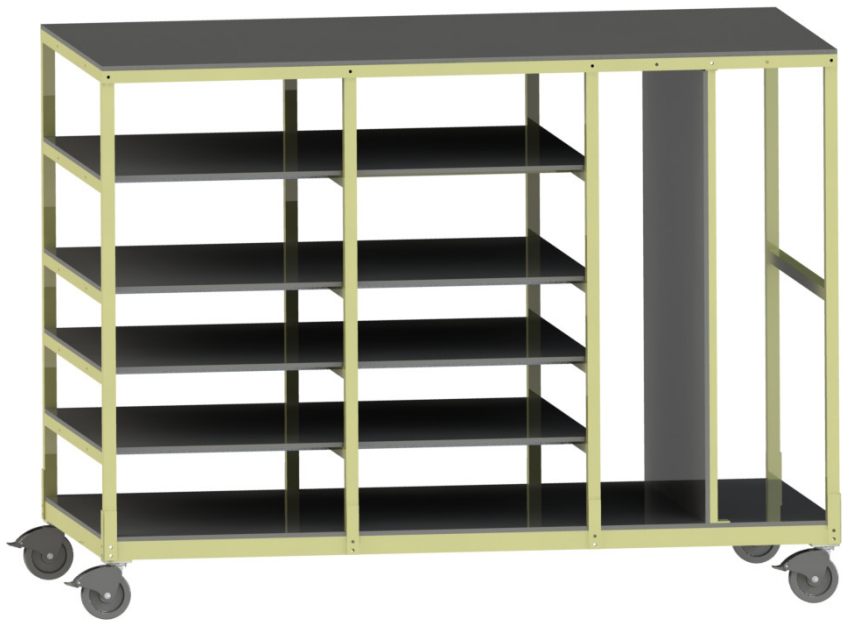


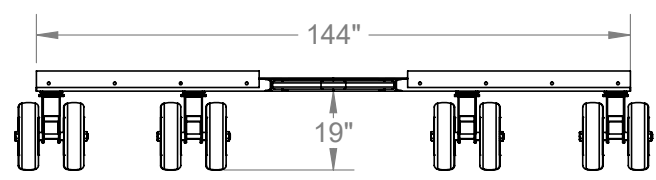
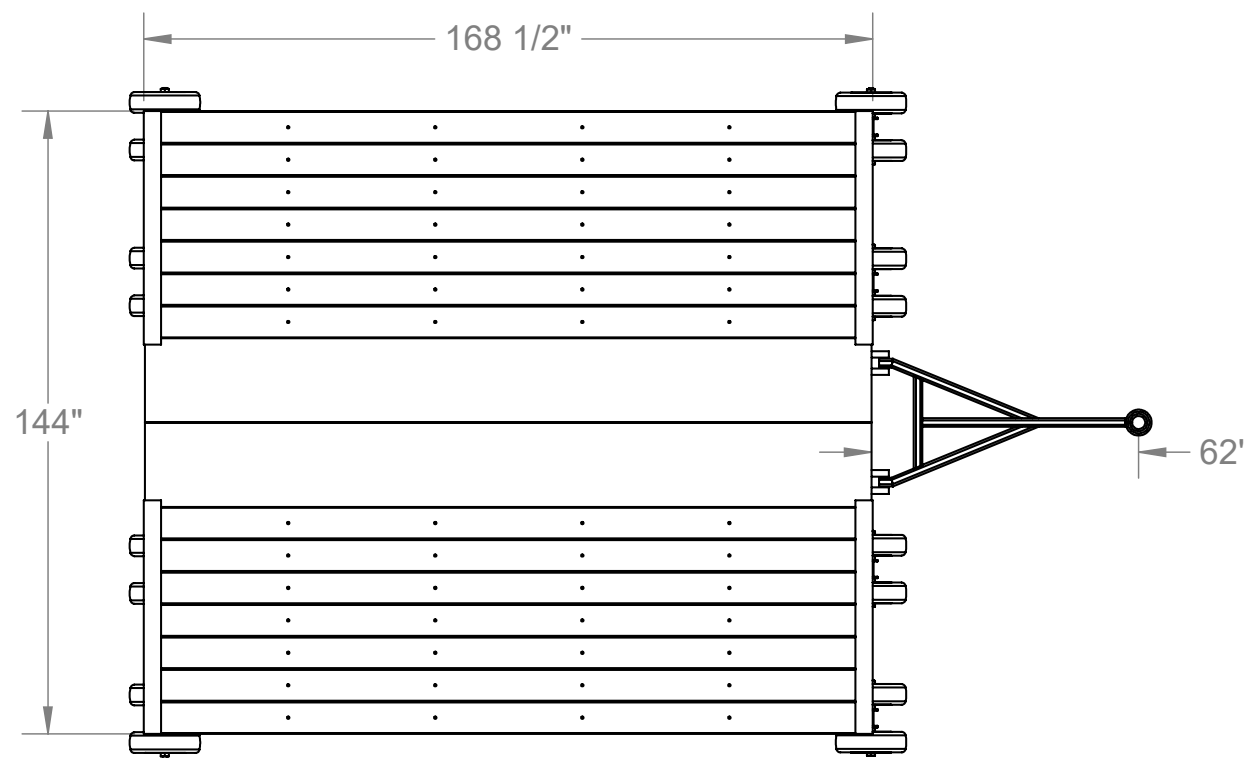
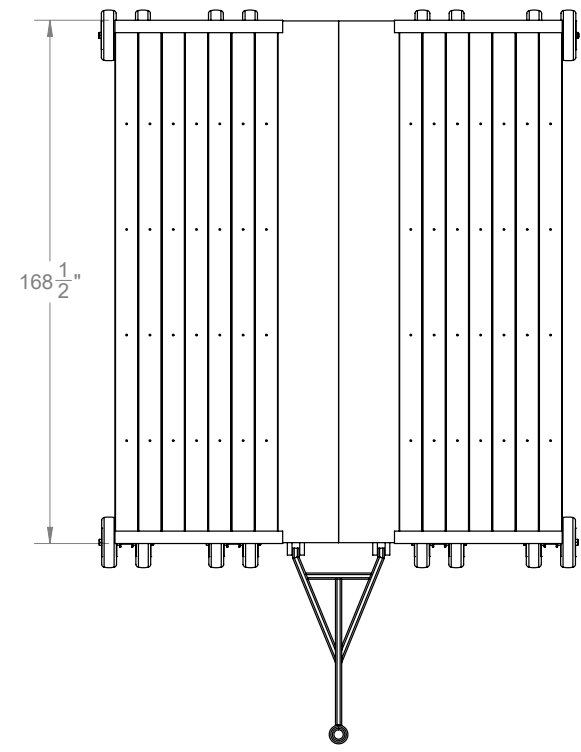
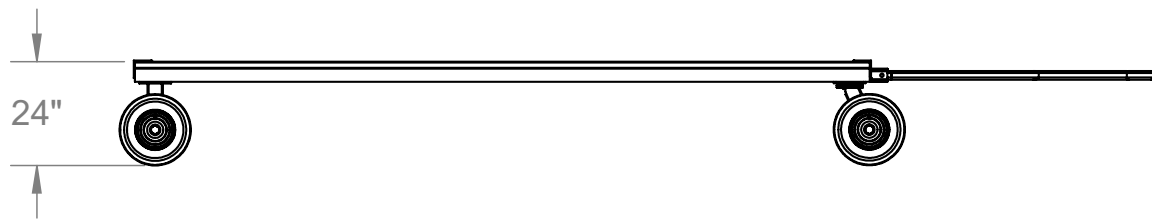


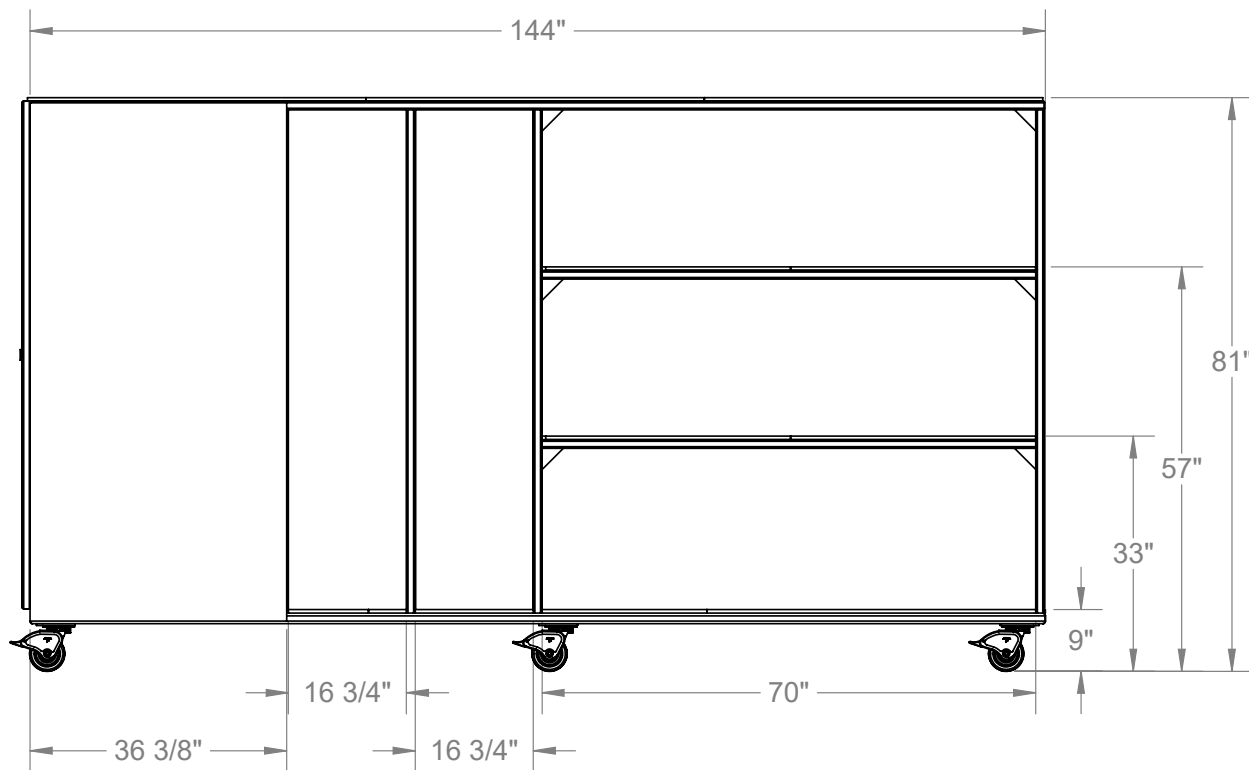
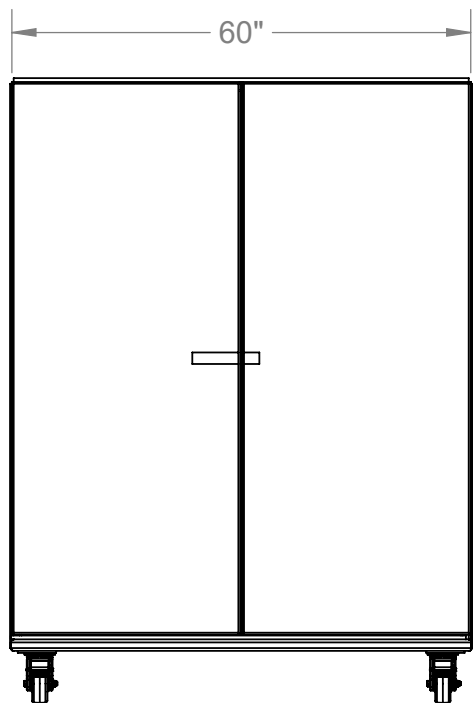
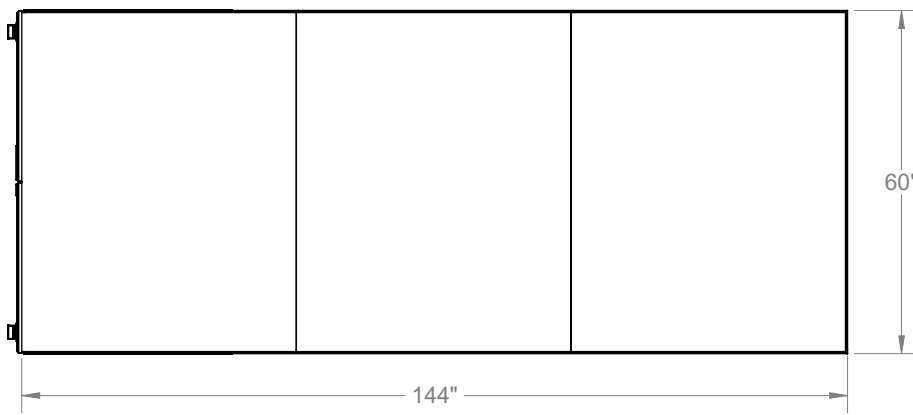
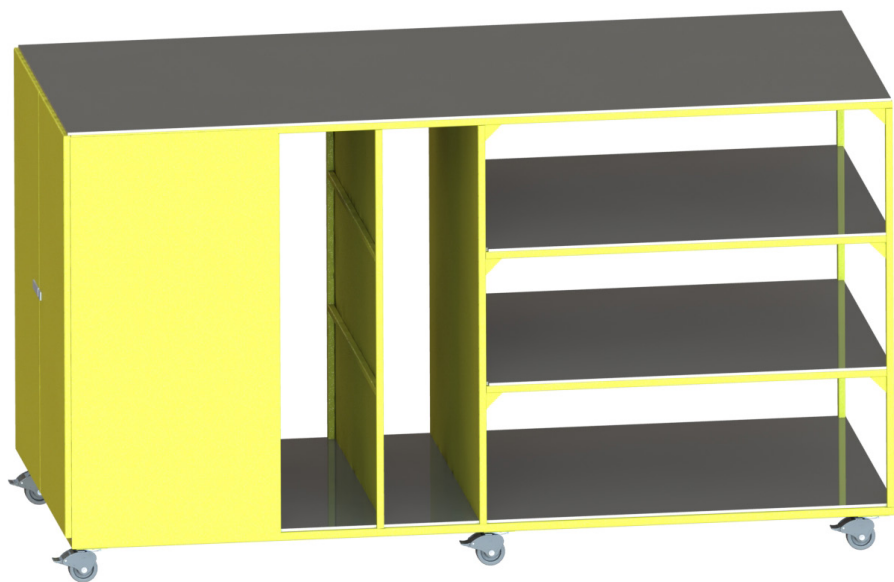
FOLDED POSITION FOR SMALLER STORAGE FOOTPRINT











HELICOPTER MAINTENANCE STANDS.



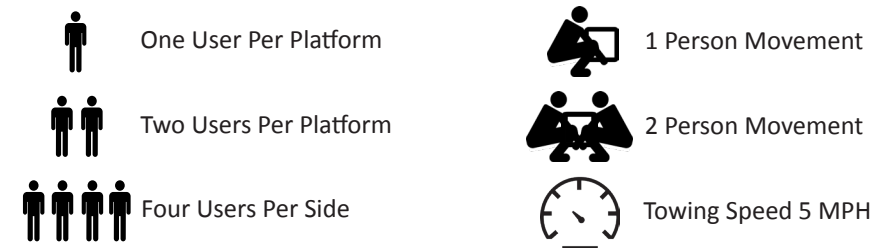
EXPERT STAND SOLUTIONS.

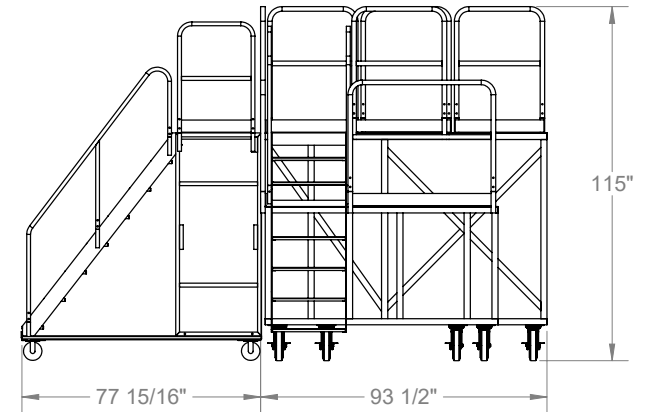
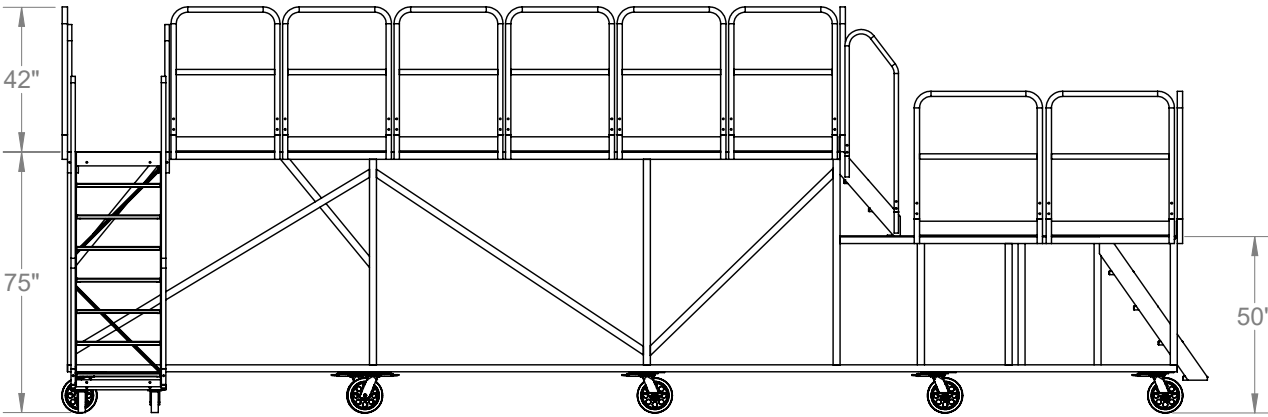
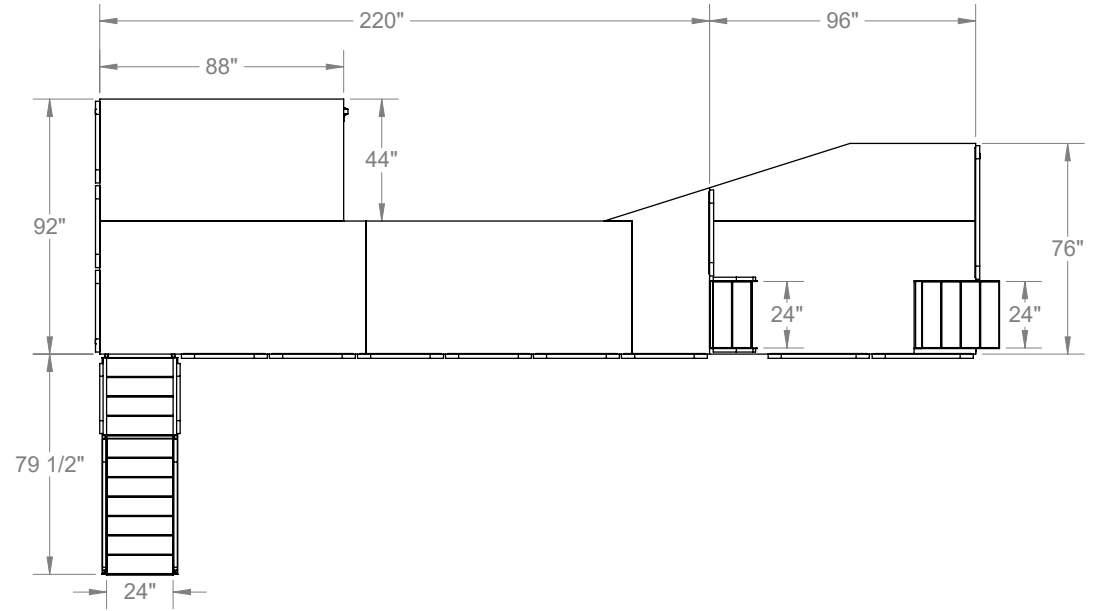
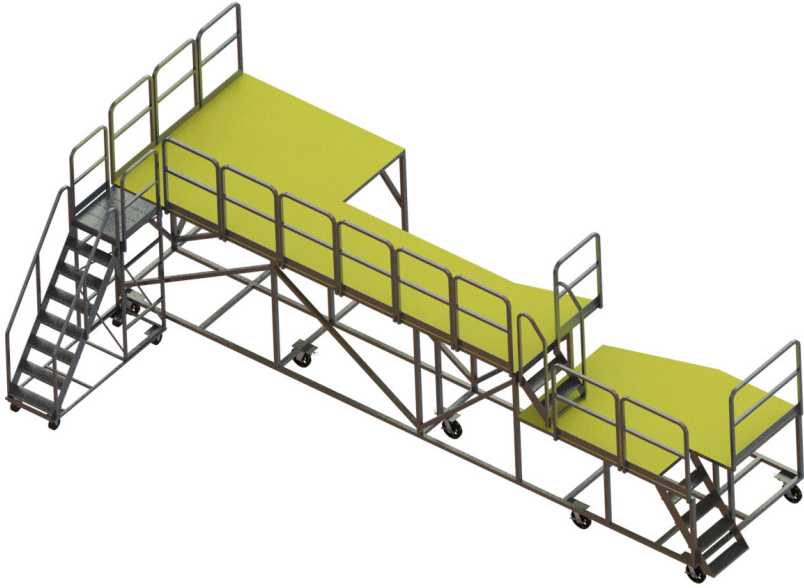
Factory Supply's Maintenance Stands help make helicopter engine inspections and repairs a safer, more comfortable, and more productive process for your maintenance technicians. Through a thorough collaborative process, we work with your team to identify the right maintenance stand solution for your particular requirements. This synergistic approach enables us to determine the appropriate solution while ensuring quality, safety and reliability of your Helicopter Maintenance Stand, whether you choose a standard or custom product.

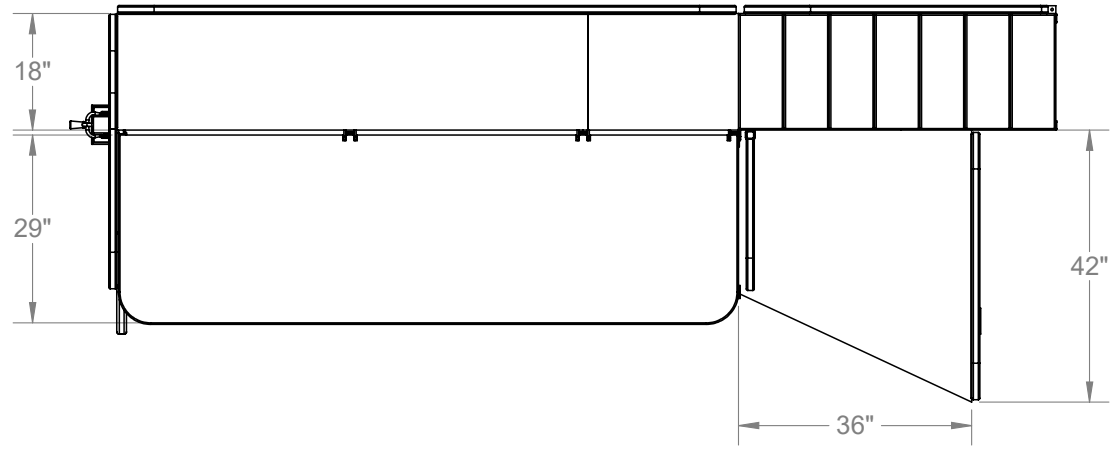
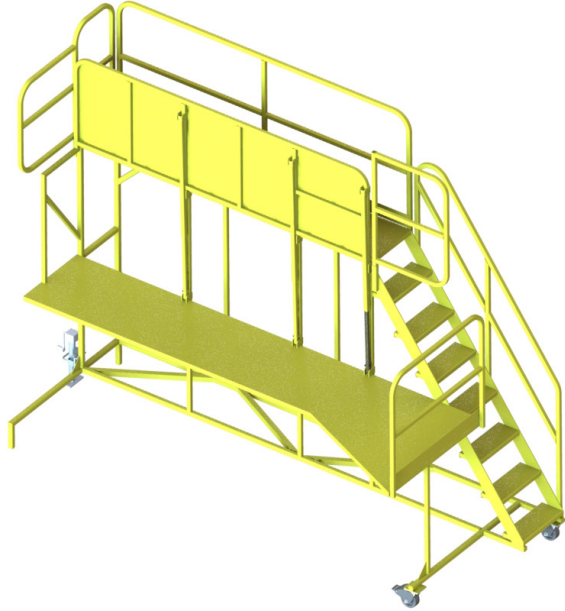
Our stands assist in preventing falls as gaps are eliminated with platform customization. Each stand features padding on the frame and platform to protect the helicopter from accidental bumps and also potential employee head injuries. There is the option to have stands with extendable platform units so that the stand can adjust to the outline of the rotor aircraft. With this option, stands can be used on helicopters of varying sizes and configurations, making a more efficient use of your investment. Other features of our maintenance stands include electric hook ups, pneumatic / air hook-ups, work or service trays, as well as optional composite non-slip decking surface. In addition, our stands are constructed of lightweight material and feature casters so they may be easily moved from location to location by one or two people with little force.

Providing one-of-a-kind access products and industrial equipment, our line of maintenance stands includes aircraft stands, helicopter platforms, rolling ladders, work platforms, rolling stands and more. Occasional inspections of the stands are recommended; however, they are essentially maintenance free. Heli Grade Solutions Helicopter Maintenance Stands are designed and manufactured in the USA. And we ensure that our products not only meet, but exceed a number of compliance standards, including ANSI, OSHA and Cal/OSHA, the most stringent standards in the USA. If our standard products are not suitable for your needs, contact us for a custom solution.

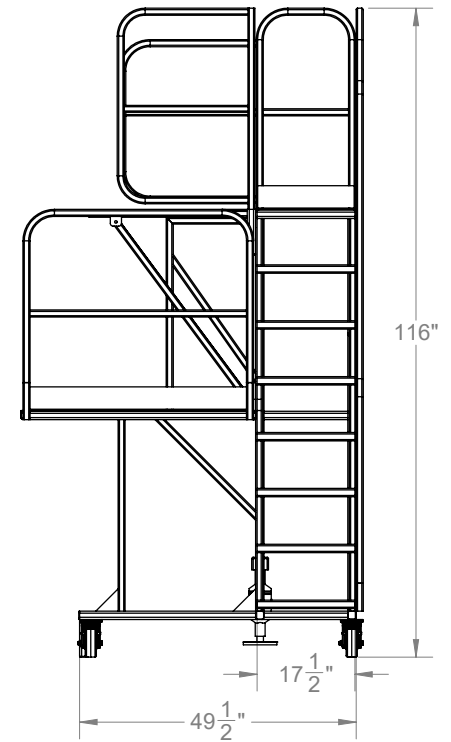
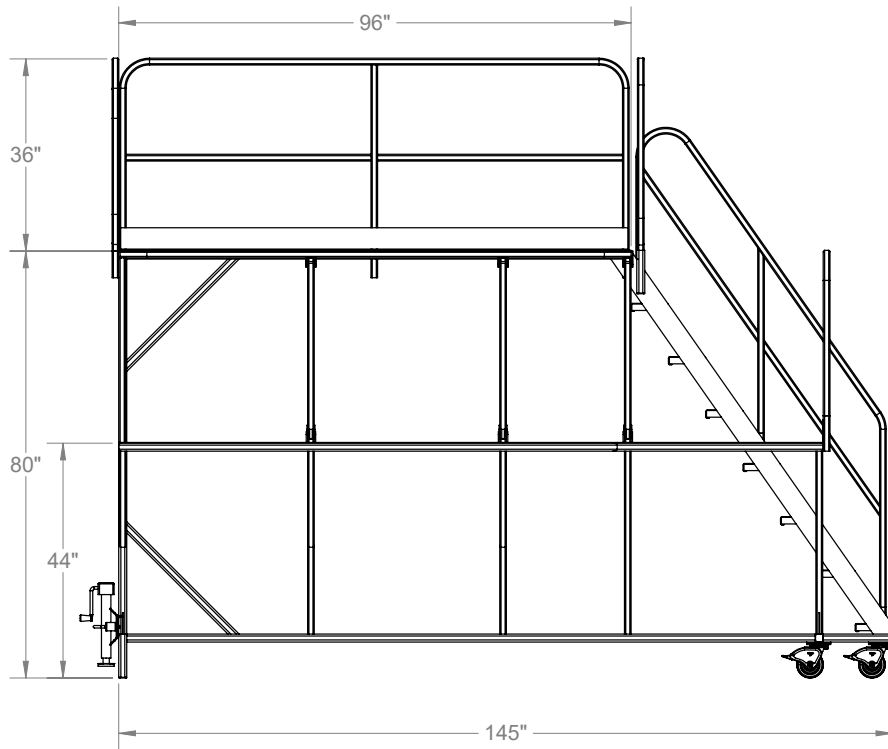
ICON LEGEND

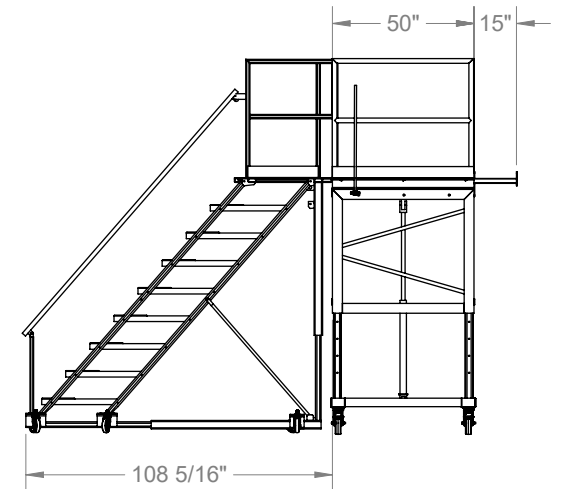
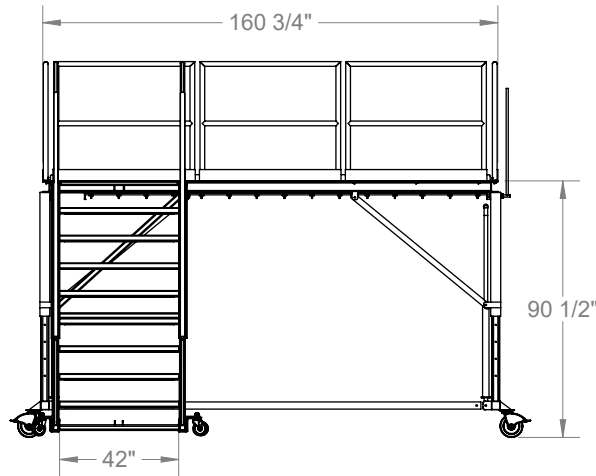
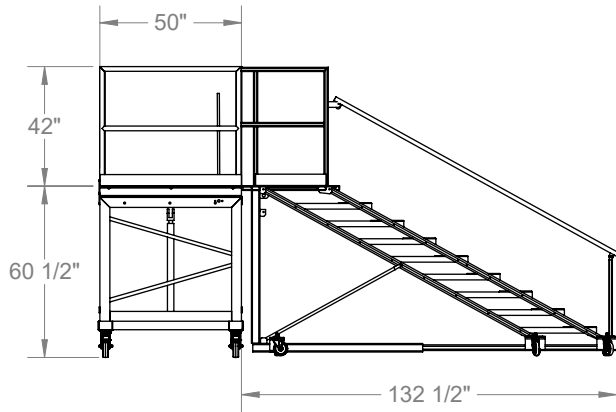
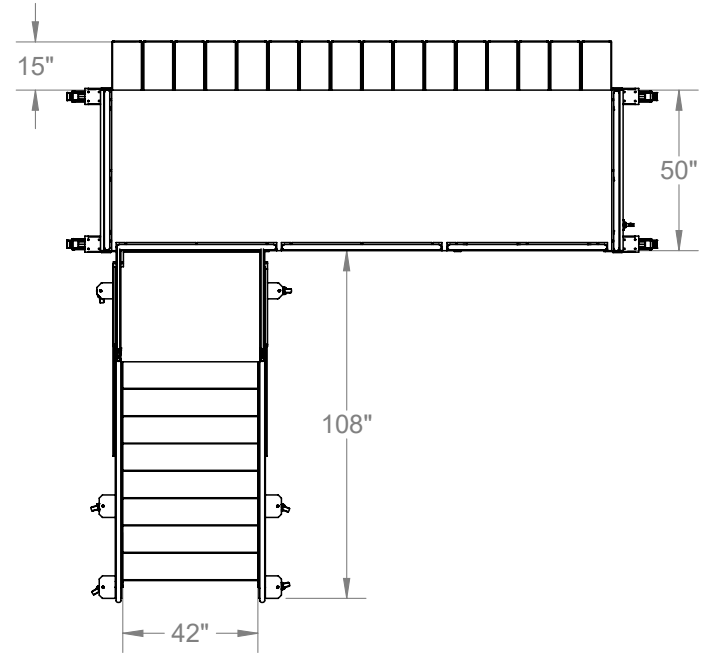


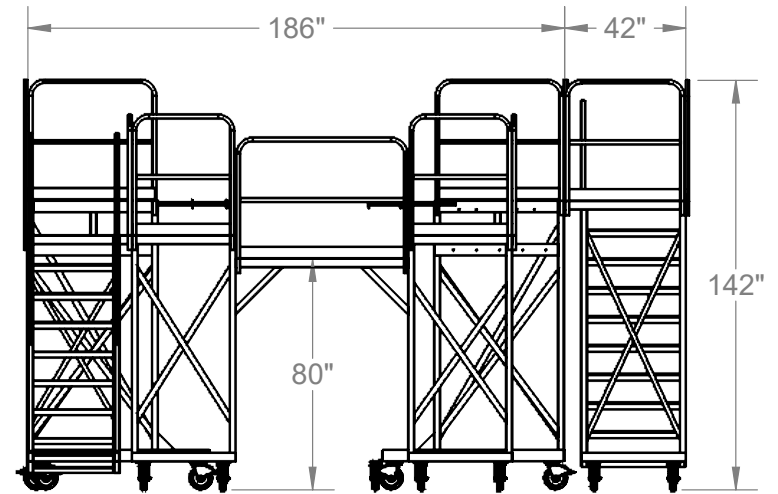
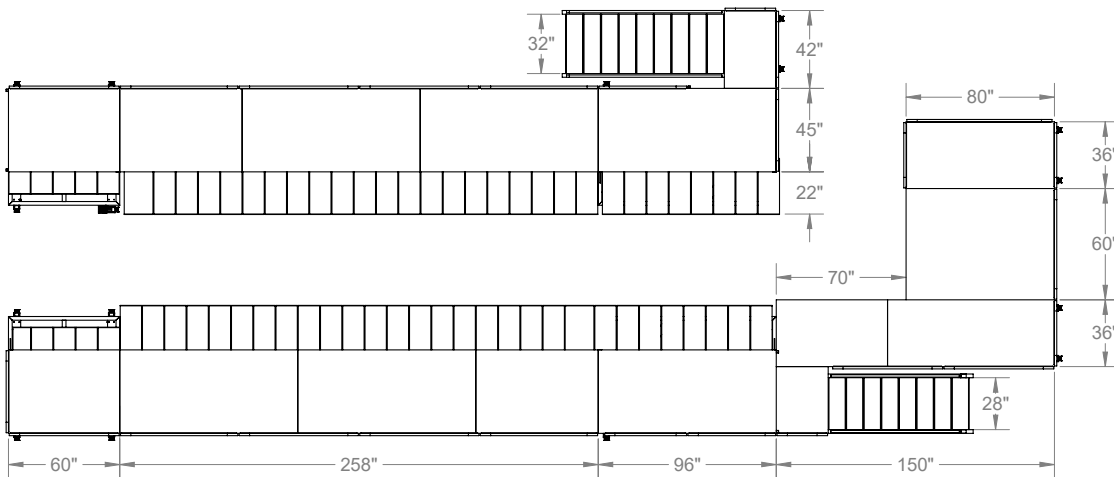
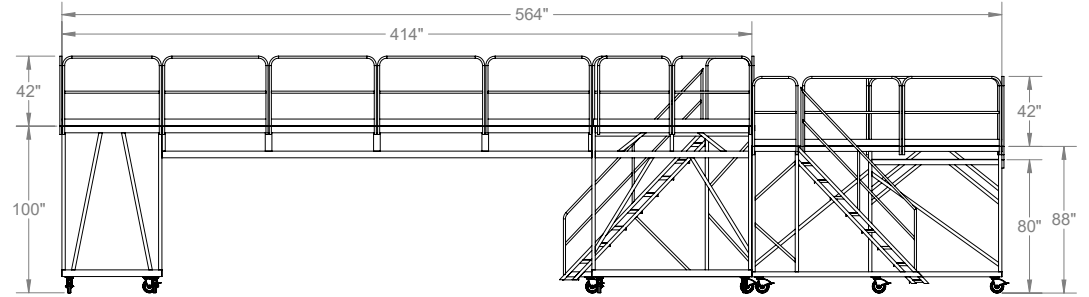
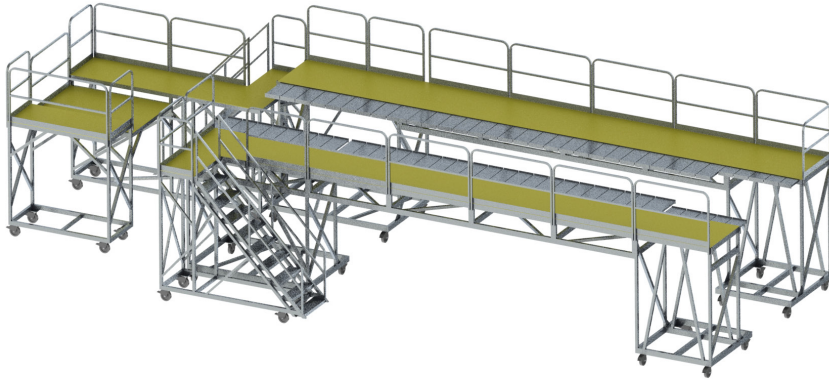


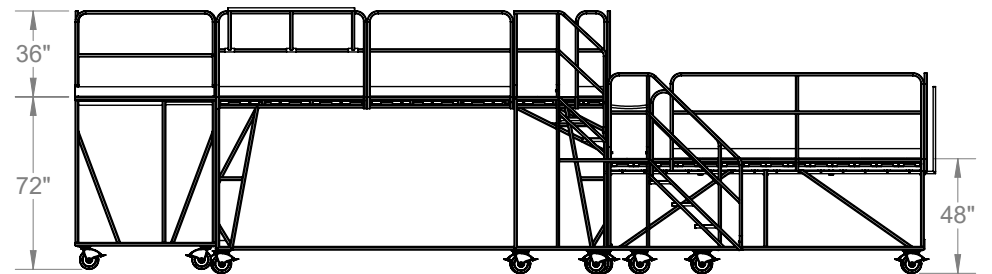
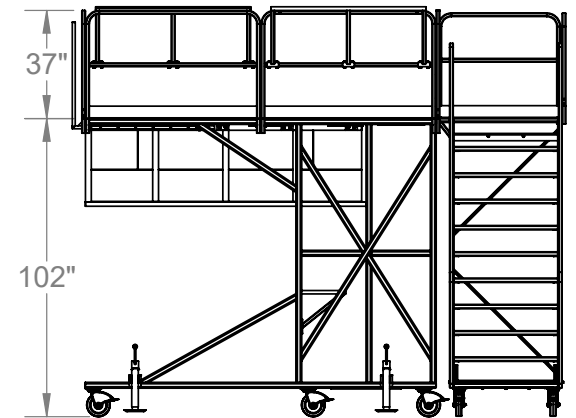
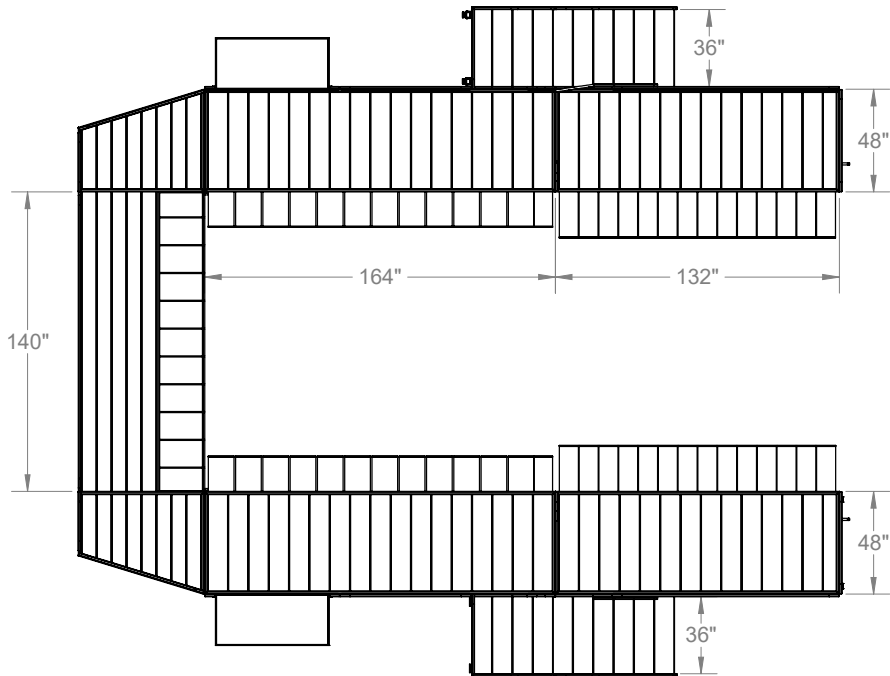
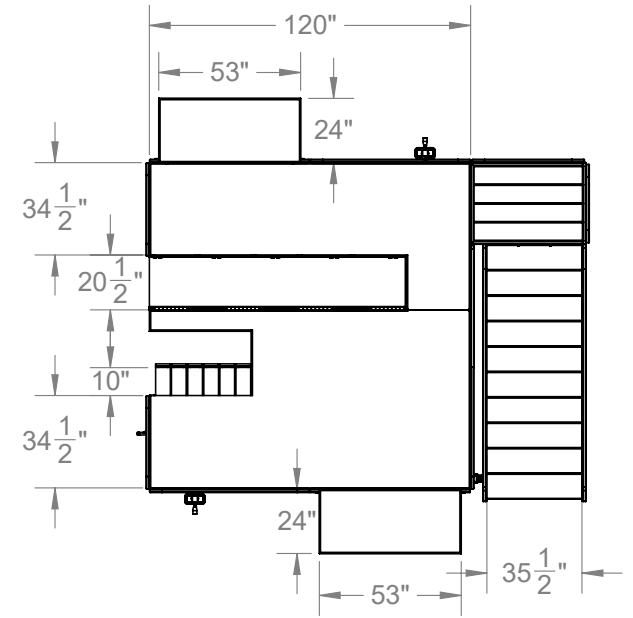
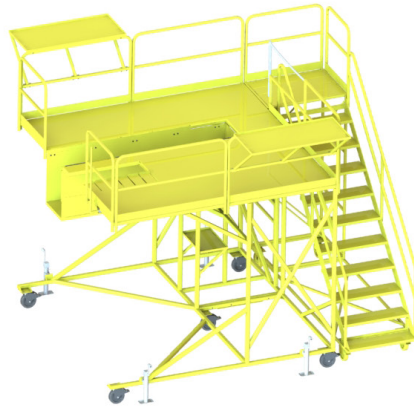
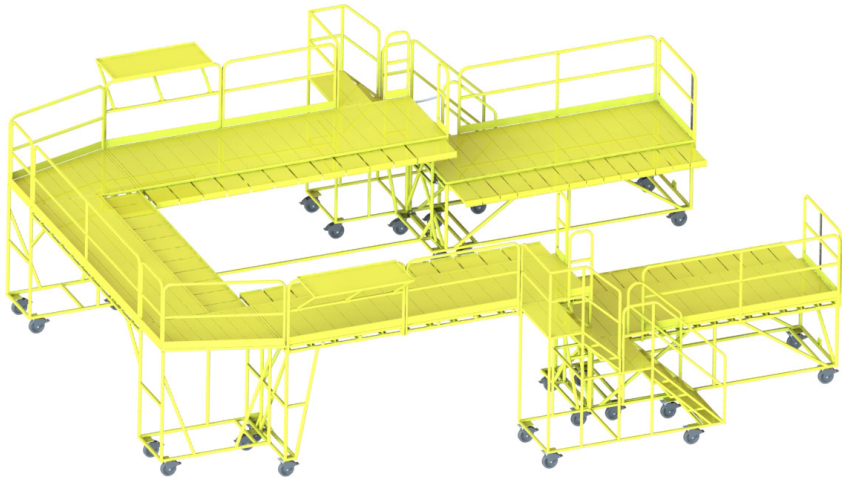


UPPER ACCESS PLATFORM IN FOLDED POSITION









WARRANTY INFORMATION

Liftsafe Group of Companies warrants all fabricated and supplied equipment, to be free from defects in material and workmanship for a period of two (2) years commencing on the date of shipment to the first retail purchaser (“Purchaser”). This warranty does not extend to equipment which has been subject to misuse, use in excess of rated capacity, negligent operation, use beyond Liftsafe Group of Companies published service factors, improper installation or maintenance, and does not apply to any equipment which has been repaired or altered without Liftsafe Group of Companies written authorization. Written notice of any claimed defect must be given to Liftsafe Group of Companies within thirty (30) days after such defect is discovered. Liftsafe Group of Companies obligation, and Purchaser’s sole remedy under this Warranty is limited to, at Liftsafe Group of Companies discretion, the replacement or repair of the equipment at Liftsafe Group of Companies factory or at a location approved by Liftsafe Group of Companies. Purchaser is responsible for all freight and transportation costs relating to the repair or replacement of the equipment.

THE FOREGOING WARRANTY IS EXPRESSLY IN LIEU OF ALL OTHER WARRANTIES WHATSOEVER WHETHER EXPRESS, IMPLIED, OR STATUTORY. SELLER MAKES NO WARRANTY AS TO THE MERCHANTABILITY OR FITNESS FOR A PARTICULAR PURPOSE OF THE EQUIPMENT AND MAKES NO OTHER WARRANTY, EITHER EXPRESS OR IMPLIED.

Liftsafe Group of Companies shall not be liable, under any circumstances, for any indirect, special or consequential damages including, but not limited to, lost profits, increased operating costs or loss of production. This Warranty shall not extend to any components or accessories not manufactured by Liftsafe Group of Companies.

DESIGNED TO MEET THESE STANDARDS



ANSI
ANSI A14.3,
ANSI A14.7,
ANSI Z359.1-2007,
ANSI Z359.3-2007 &
ANSI-ASC 14.2-2017



OSHA
1910.23,
1910.25,
1910.28,
1910.29,
1926.1051,
1926.1052 &
1926.1053



**PRODUCTS DESIGNED IN
AUTODESK INVENTOR**

**GROUND SUPPORT
EQUIPMENT WARRANTY**

FSH-1000

FSH-1010

FSH-1030

FSH-1500

FSH-1510

FSH-1530

FSH-1540

FSH-1550

FSH-1600

FSB-0002

FSB-0001

FSPR-0002

FSH-HD-01

FSPR-0001

FSH-EC130-PM

FSH-EC145-PM

FSH-HAS-01

FSH-S92-PM

FSH-UH60-PM

PARTS

Casters	2 Years	2 Years	2 Years	2 Years	2 Years	2 Years	2 Years	2 Years	2 Years	2 Years	2 Years	2 Years	2 Years	2 Years	2 Years	2 Years	2 Years	2 Years	2 Years
Paint (If Applicable)	2 Years	2 Years	2 Years	2 Years	2 Years	2 Years	2 Years	2 Years	2 Years	2 Years	2 Years	2 Years	2 Years	2 Years	2 Years	2 Years	2 Years	2 Years	2 Years
Slide-Out Extension	2 Years	2 Years	2 Years	2 Years	2 Years	2 Years	2 Years	2 Years	2 Years	2 Years	2 Years	2 Years	2 Years	2 Years	2 Years	2 Years	2 Years	2 Years	2 Years
Tow Bar	2 Years	2 Years	2 Years	2 Years	2 Years	2 Years	2 Years	2 Years	2 Years	2 Years	2 Years	2 Years	2 Years	2 Years	2 Years	2 Years	2 Years	2 Years	2 Years
Jacks	2 Years	2 Years	2 Years	2 Years	2 Years	2 Years	2 Years	2 Years	2 Years	2 Years	2 Years	2 Years	2 Years	2 Years	2 Years	2 Years	2 Years	2 Years	2 Years
Tool Boxes / Trays	2 Years	2 Years	2 Years	2 Years	2 Years	2 Years	2 Years	2 Years	2 Years	2 Years	2 Years	2 Years	2 Years	2 Years	2 Years	2 Years	2 Years	2 Years	2 Years
Equipment Defects (In Material & Workmanship)	2 Years	2 Years	2 Years	2 Years	2 Years	2 Years	2 Years	2 Years	2 Years	2 Years	2 Years	2 Years	2 Years	2 Years	2 Years	2 Years	2 Years	2 Years	2 Years
Structural Components	2 Years	2 Years	2 Years	2 Years	2 Years	2 Years	2 Years	2 Years	2 Years	2 Years	2 Years	2 Years	2 Years	2 Years	2 Years	2 Years	2 Years	2 Years	2 Years

ALL FACTORY SUPPLY HELICOPTER PLATFORMS HAVE
A **2 YEAR** BUMPER TO BUMPER WARRANTY.



8001 Tower Point Dr., Unit A
Charlotte, NC 28227
sales@factorysupply.com
factorysupply.com
+1-888-242-3045

